



2 0 1 8

# SUBURBAN 1FL and 3500HD



Shown with aftermarket equipment





## About This Publication

This catalog is not updated during the model year and should not be used for ordering purposes. It is intended as a source of basic information. All illustrations and specifications in this literature are based on the latest product information available at the time of publication. General Motors reserves the right to make changes at any time without notice. For further details, consult your local dealer.

Care must be taken during customer installation of equipment and wiring to ensure that all holes drilled in the body are corrosion protected, properly sealed and that vehicle wiring harnesses, piping or other components have not been displaced or damaged. Aftermarket equipment installers must be mindful of applicable Federal Motor Vehicle Safety Standards. This information can be obtained directly from the National Highway Traffic Safety Administration.

Adding non-dealer accessories or making modifications to the vehicle can affect vehicle performance, aerodynamics, and overall top speed.

These vehicles are equipped with an air bag system. The air bag system in your police vehicle includes frontal driver and passenger air bags, front seat back side impact air bags, front knee air bags or knee bolsters and side curtain air bags. Customer installed equipment such as security barriers behind the front seats should not be mounted so that the barrier ends are within the side air bag deployment zones. The sensors and other components for the air bag system must not be relocated to accommodate the installation of customer furnished equipment; please refer to the service manual for sensor and other component locations. For information concerning instrument panel top pad mounted equipment and air bag system deployment zones, see the air bag information section in this catalog and the vehicle owners manual.

A note about vehicle alterations by independent suppliers: This catalog shows pictures of vehicles that have been altered or upfitted with equipment or components supplied to Chevrolet or its dealers by independent suppliers. Chevrolet is not responsible for the safety or quality of design features, materials or workmanship of any alterations by a supplier.

# INDEX

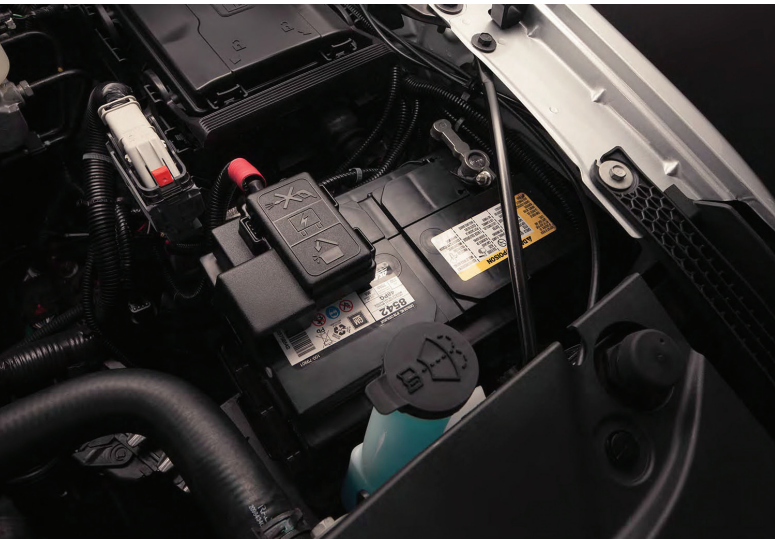
- **UPDATES FOR 2018 SUBURBAN**
- **STANDARD FEATURES**
- **POWERTRAIN & EMISSIONS**
- **COLORS & INTERIOR TRIM**
- **OPTIONAL EQUIPMENT**
- **ONSTAR® 4G LTE Wi-Fi SERVICE PLANS**
- **SPECIFICATIONS**
- **ILLUSTRATION HIGHLIGHTS**
- **WIRING DIAGRAMS**
- **AIRBAG DIMENSIONS**
- **AIRBAGS FAQ**
- **STABILITRAK**
- **MAINTENANCE AND WARRANTY**



# 2018 SUBURBAN COMMERCIAL FLEET 1FL



Standard 40/20/40 split-bench seating (only available on 1FL 1500)



Optional isolated auxiliary battery



Third row seating with fold flat floor



# UPDATES FOR 2018

## NEW FEATURES

- (G9K) Satin Steel Metallic
- (G2X) Havana Brown Metallic (No longer available to order as of 11-20-17)
- (IO5) Chevrolet MyLink Radio with 8" diagonal color touch-screen
- (UJM) Tire Pressure Monitor now includes Tire Fill Alert
- Optional (PCW) Enhanced Driver Alert Package, includes (JF4) Power-adjustable pedals, (UEU) Forward Collision Alert, (TQ5) IntelliBeam headlamps, (UHY) Low Speed Forward Automatic Braking, (UHX) Lane Keep Assist with Lane Departure Warning and Safety Alert Driver Seat
- (UDD) 4.2" diagonal multi-color Driver Information Center
- (UK3) Steering wheel-mounted audio, Cruise control and Driver Information Center controls
- LED signature daytime running lamps



## DISCONTINUED

- Exterior color (GWT) Champagne Silver Metallic
- (IO3) AM/FM stereo with CD player (1FL and 1LS Fleet)
- (UDC) One-color Driver Information Center (1FL)
- All LPOs deleted for model year on Suburban 3500HD

NOTE: This vehicle is NOT designed nor intended for HIGH SPEED EMERGENCY VEHICLE OPERATIONS Model CC15906 rear-wheel drive 1/2 ton. Model CK15906 4WD 1/2 ton. Content, Options and Specifications shown are for Police and Special Service Vehicles only which differ from retail civilian model.

<b>STANDARD 1FL INTERIOR FEATURES</b>	
<b>AIR CONDITIONING</b>	Tri-zone automatic, with individual climate settings for driver, right-front passenger and rear passengers
<b>ASSIST HANDLES</b>	Front passenger and second row outboard
<b>AUDIO SYSTEM</b>	Chevrolet MyLink Radio <sup>5</sup> with 8" diagonal color touch-screen, AM/FM stereo with seek-and-scan and digital clock, includes Bluetooth® streaming audio for music and select phones; voice-activated technology for radio and phone; and Shop with the ability to browse, select and install apps to your vehicle. Includes 4 USB ports and 1 auxiliary jack. The 8-inch diagonal color touch-screen slides up to reveal a password-protected area behind the display with space for cell phones, wallets or other valuables. Additionally, a USB port <sup>6</sup> gives you one more place to charge your devices. Includes 6 Speakers and Single-slot CD/MP3 player.
<b>BLUETOOTH® 1</b>	Cell phone connectivity (deleted when UEO ONSTAR® delete is ordered)
<b>CONSOLE, OVERHEAD</b>	Mini with map lamps
<b>CRUISE CONTROL</b>	Electronic with set and resume speed
<b>DOMELAMPS</b>	Interior dome lamp, driver and passenger side door switch with delayed entry feature, cargo lamps, remote keyless entry activated illuminated entry and map lamps in front and second seat position
<b>DRIVER INFORMATION CENTER</b>	4.2" diagonal multi-color.
<b>FLOOR COVERING</b>	Black rubberized-vinyl (not available with B39 cargo mat)
<b>GLASS</b>	Deep tinted (all windows except light-tinted glass on windshield, driver and front passenger side glass)
<b>LIGHTING</b>	Interior with dome light, driver- and passenger-side door switch with delayed entry feature, cargo lights, door handle or Remote Keyless Entry-activated illuminated entry and map lights in front and second seat positions
<b>MIRROR</b>	Inside rearview auto-dimming
<b>NET</b>	Cargo
<b>ONSTAR®</b>	ONSTAR® Basic Plan <sup>3</sup> , ONSTAR® Guidance <sup>4</sup> and ONSTAR® 4G LTE with Wi-Fi See ONSTAR® section for Availability and Available Plans
<b>POWER OUTLETS</b>	12 volt DC outlet and 110 volt, 150 watt AC outlet in lower instrument panel. 12 volt DC outlets also in back of center console and cargo area. 12 volt DC outlets are configurable to be Battery powered at all times or Ignition Control powered. See the Owners Manual for information about DC outlet power configuration.
<b>REMOTE KEYLESS ENTRY</b>	With extended range (BTV Remote vehicle start is an available option)
<b>RESTRAINT SYSTEM<sup>2</sup></b>	Three point safety belts, driver and front passenger with pretensioners, dual stage driver and front passenger frontal airbags, driver and passenger knee bolsters, front passenger sensing system with frontal airbag ON/OFF indicator, rollover sensor, dual head curtain airbags for front and second row outboard occupants and front seat-back mounted thorax-pelvic airbags; head curtain airbag extends to cargo area. <b>NOTE: Safety belt extenders are available in 9 inch (part number 19259268) through our dealer at no charge</b>
<b>SEAT, FRONT</b>	Cloth 40/20/40 split-bench, 3-passenger. Includes driver 6-way power seat-adjuster with power lumbar, 2-way power passenger, outboard head restraints, and center fold-down armrest with lockable storage compartment in center seat bottom cushion.
<b>SEAT, REAR</b>	Cloth 60/40 split folding bench with center armrest (power fold not available on 1FL)
<b>SEAT, THIRD ROW</b>	60/40 split-folding bench, fold flat (power fold not available on 1FL)
<b>SPEEDOMETER/CLUSTER</b>	120 mph analog speedometer, trip odometer, fuel level, volt meter, engine temperature oil pressure and tachometer
<b>STEERING WHEEL CONTROLS</b>	Mounted audio and cruise controls, includes Driver Information Center controls
<b>STEERING COLUMN/WHEEL</b>	Tilt-wheel, adjustable, with brake/transmission interlock
<b>TEEN DRIVER MODE</b>	A configurable feature that can be programmed through your radio that lets you activate customizable vehicle settings associated with a key fob, to encourage safe driving behavior. It can limit certain vehicle features, and it prevents certain safety systems from being turned off. An in-vehicle report gives you information on your driving habits.
<b>THEFT DETERRENT</b>	Electrical, unauthorized entry
<b>WARNING TONES</b>	Headlamp on, key-in-ignition, driver and right-front passenger safety belt unfasten and turn signal on
<b>WINDOW OPERATION</b>	Power with driver express-down and lockout features
<b>STANDARD 1FL EXTERIOR FEATURES</b>	
<b>ASSIST STEPS</b>	Black, mounted between front and rear wheels
<b>CAPLESS FUEL FILL</b>	The vehicle has a capless refueling system and does not have a fuel cap. The filling nozzle must be fully inserted and latched prior to starting fuel flow. <b>NOTE: Overfilling the fuel tank by more than three clicks of a standard fill nozzle may cause, vehicle performance issue, including engine stalling and damage to the fuel system, fuel spills, potential fuel fires. (Not available on 3500HD)</b>
<b>DEFOGGER</b>	Electric, rear window

1. Requires a compatible mobile device, active ONSTAR® service and data plan. 4G LTE service available in select markets. Visit ONSTAR®.com for coverage map, details and system limitations. Data plan provided by AT&T.

2. Always use safety belts and child restraints. Children are safer when properly secured in a rear seat in the appropriate child restraint. See the Owner's Manual for more information.

3. Does not include emergency or security services. Visit ONSTAR®.com for coverage map, details and system limitations

4. Visit ONSTAR®.com for coverage map, details and system limitations

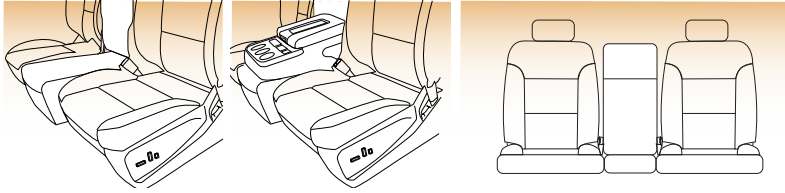
5. MyLink functionality varies by model. Full functionality requires compatible Bluetooth and smartphone, and USB connectivity for some devices



<b>DOOR HANDLES</b>	Color keyed (Door handles will be black when special paint is ordered)
<b>DOOR LOCKS</b>	Power programmable with lockout protection and delayed locking, door lock cylinder no longer available on passenger front door and rear liftgate
<b>FASCIA, FRONT</b>	Color - keyed (Black when special paint is ordered)
<b>FASCIA, REAR</b>	Color - keyed (Black when special paint is ordered)
<b>HEADLAMPS</b>	Bi-functional halogen projector with LED park and turn. LED daytime running lamps with automatic exterior lamp control. Altering headlamp assembly is not recommended, General Motors is not responsible for the effects of any modifications.
<b>KEYLESS ENTRY</b>	Remote with extended range
<b>KEYS</b>	Two keys, two-sided, random code, for ignition and drivers door only
<b>MIRRORS</b>	Outside heated power-adjustable, manual-folding, color keyed (Mirrors will be black when special paint is ordered)
<b>REAR LIFTGATE</b>	Manual liftgate/liftglass with rear window washer and wiper (power liftgate not available)
<b>REAR PARK ASSIST</b>	Audible warning
<b>REAR VISION CAMERA</b>	Displayed in radio screen
<b>RECOVERY HOOKS</b>	Two front frame-mounted STANDARD on 4WD, OPTIONAL on 2WD, see option page (V76)
<b>ROOF SIDE RAILS</b>	Roof mounted black side rails (Delete option is not available)
<b>TIRES</b>	P265/70R17 All-terrain, Blackwall. Not available when (NHT) Maximum Trailering Package is ordered. See Option (RKK) on Options Available page for tire available with (NHT) Maximum Trailering Package.
<b>TIRE PRESSURE MONITOR WITH TIRE FILL ALERT</b>	Check tire pressure will display in driver message center (displays individual tire pressure); Tire Fill Alert, In addition to the DIC warning when a tire has low pressure, this feature provides audible and visual indication when air is being added to the low tire to aid in achieving optimal tire pressure.
<b>TIRE, SPARE</b>	P265/70R17 All-season blackwall. Lockable outside winch-type carrier mounted under frame at rear. Spare tire pressure monitor sensor not included.
<b>WHEELS</b>	17" x 8" Painted steel
<b>WIPERS</b>	Windshield Intermittent with Rainsense. Rear Intermittent with Washer
<b>STANDARD 1FL CHASSIS FEATURES</b>	
<b>AERO SHUTTERS</b>	Aero shutters are designed to close when operating conditions permit. The shutters are located on the front of the A/C condenser under hood to divert airflow around the front of the truck reducing wind drag and improves fuel economy. When the cooling system requires more air flow the shutters automatically reopen, ensuring proper air flow through the radiator. (Not available on 3500HD)
<b>ALTERNATOR</b>	150-amp
<b>AIR CLEANER</b>	High Capacity
<b>BATTERY</b>	Maintenance free, 720 cca with 80 amp hour rating
<b>BRAKES</b>	4-wheel antilock, 4-wheel disc, vac power with Brake Assist
<b>DIFFERENTIAL</b>	Heavy duty locking rear
<b>ENGINE</b>	5.3L EcoTec3 V8 with direct injection, variable valve timing (VVT), Active Fuel Management (AFM), aluminum block, includes air conditioning wide open throttle cut off (see specifications page)
<b>FRAME</b>	Modular with hydro formed frame rails
<b>FUEL TANK CAPACITY</b>	Approximately 31 gallon (117.3 liters)
<b>HILL START ASSIST</b>	This feature is designed to prevent the vehicle from rolling, either forward or rearward, during vehicle drive off.
<b>OIL COOLERS</b>	External engine oil cooler, heavy-duty air-to-oil, integral to driver side of radiator. Auxiliary transmission heavy duty air to oil.
<b>REAR AXLE</b>	3.08 Ratio
<b>STABILITRAK</b>	Vehicle stability control system with proactive roll avoidance (see Stabilitrak section for description)
<b>STEERING</b>	Electric Power
<b>SUSPENSION, FRONT</b>	Coil-over-shock with stabilizer bar
<b>SUSPENSION, REAR</b>	Multi-link with coil springs
<b>TRAILER SWAY CONTROL (TSC)</b>	Vehicles with StabiliTrak have a TSC feature. Trailer sway is unintended side-to-side motion of a trailer while being towed. If the vehicle is towing a trailer and the TSC detects that sway is increasing, the vehicle brakes are selectively applied at each wheel, to help reduce excessive trailer sway.
<b>TRAILERING EQUIPMENT</b>	Includes trailering hitch platform, 7-wire harness with independent fused trailering circuits mated to a 7-way sealed connector and 2" trailering receiver
<b>TRANSFER CASE</b>	Active single-speed, electronic autotrac with rotary controls, does not include Neutral (N). Cannot be dinghy towed, requires GU4 3.08 rear axle. Not available on 2WD models
<b>TRANSMISSION</b>	6-speed automatic, electronically controlled with overdrive and tow/haul mode
<b>WARRANTY</b>	See Maintenance and Warranty section for description

## FRONT SEATS AND INTERIOR TRIM

**STANDARD Cloth front 40/20/40 Individual Seats (AZ3)** Includes 6-way power driver and 2 way front passenger seat adjuster, driver and front passenger power lumbar control and power reclining, center fold-down armrest with storage (includes auxiliary power outlet, USB port and input jack for audio system), storage compartments in seat cushion, adjustable outboard head restraints and storage pockets

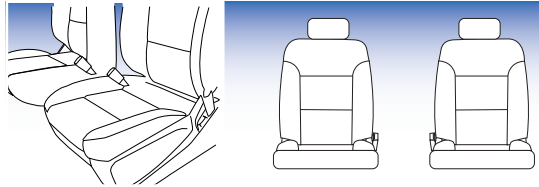


Seat Code	Seat Trim	Color	Color Code
AZ3	Vinyl	Jet Black	H2G
AZ3	Cloth	Jet Black	HOU

- Center seat can be unbolted and removed
- Vinyl seat not available in power
- H2G Not available with Option PCW Enhanced Driver Alert Package

NOTE: When (H2G) Jet Black vinyl seats trim is ordered seats will be manual not power.

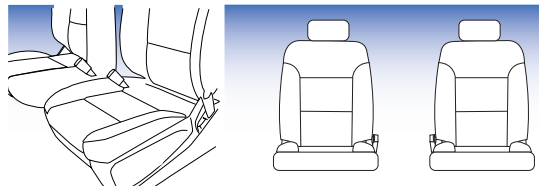
**9U3 INDIVIDUAL CLOTH FRONT SEATS Power driver and passenger bucket seats in base cloth trim.** Driver and passenger front individual seats in cloth trim Power driver and passenger bucket seats in base cloth trim. Derived from RPO (AZ3) 40-20-40 split bench seat with the 20% section removed which also removes the auxiliary power outlet, USB port and input jack for audio system. Does not include a floor console. All exposed floor area will remain untrimmed.



Seat Code	Seat Trim	Color	Color Code
AZ3	Cloth	Jet Black	H2G

- Front cloth and vinyl 2nd and 3rd row rear seat combination is available by ordering option (5T5).
- H2G Not available with Option PCW Enhanced Driver Alert Package

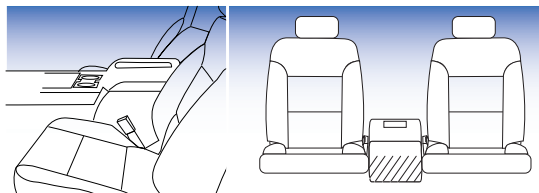
**OPTIONAL - CENTER SEAT DELETE SEO (9S1) VINYL Driver and passenger front individual seats in base vinyl trim.** Driver and passenger front, individual seats in vinyl trim Driver and passenger front individual seats in base vinyl trim. Derived from a RPO (AZ3) 40-20-40 split bench seat with the 20% section removed which also removes the auxiliary power outlet, USB port and input jack for audio system. Seats are manual, not power. Does not include a floor console. All exposed floor area will remain untrimmed. Rear seat will also be vinyl trimmed. Requires (AZ3) 40/20/40 split bench seat, trim code (H2G) Jet Black vinyl and (BG9) rubberized-vinyl floor covering.



Seat Code	Seat Trim	Color	Color Code
AZ3	Vinyl	Jet Black	HOU

**OPTIONAL - A95 CLOTH BUCKET SEATS Cloth Bucket Seats with Console (Option A95)** Driver and Passenger Front Bucket Cloth Seats, with integrated retail console. 10-way Power Driver and 6-way Power Passenger Seat with Outboard-Seat Back Pelvic Airbag and driver seat-mounted Front Center Airbag.

**Not recommend for vehicles intended to be up-fitted with aftermarket center console equipment**



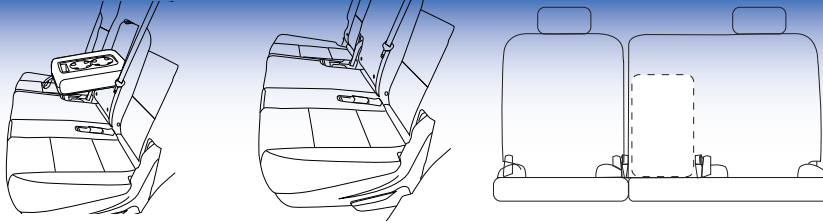
Seat Code	Seat Trim	Color	Color Code
A95	Cloth	Jet Black	HOU

- Front cloth and vinyl rear seat combination is available by ordering option 5T5 and requires Jet Black (HOU)
- Console cannot be deleted



# 2018 SUBURBAN 1FL

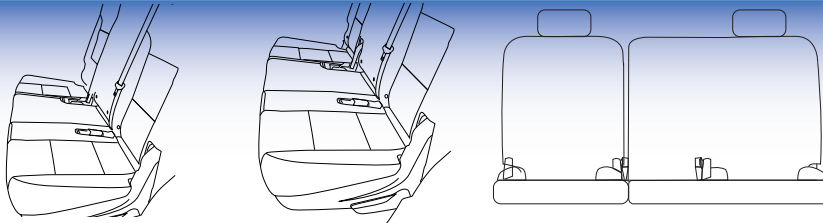
## CLOTH 2ND AND 3RD ROW 60/40 SPLIT-BENCH, FLAT-FOLD SEATING (AT6/ARN)



Seat Code	Seat Trim	Color	Color Code
AT6/ARN	Cloth	Jet Black	HOU

- (Second row captain seats available for 2nd and 3rd row seats on HD3500HD)

## CLOTH FRONT SEAT WITH VINYL REAR SEATING (5T5)



Seat Code	Seat Trim	Color	Color Code
5T5	Vinyl	Jet Black	H2G

- Front cloth and vinyl rear seat combination is available for 2nd and 3rd row seats by ordering option 5T5 and requires Jet Black (HOU) and RPO (AZ3) front 40/20/40 split-bench seat
- H2G Not available with Option PCW Enhanced Driver Alert Package

## AVAILABLE INTERIOR COLOR Actual colors may vary



Jet Black Cloth



Jet Black Vinyl

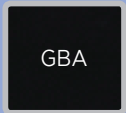
## AVAILABLE EXTERIOR COLORS Actual colors may vary



Satin Steel Metallic



Silver Ice Metallic



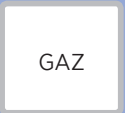
Black



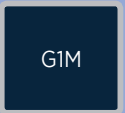
Pepperdust Metallic



Tungsten Metallic



Summit White



Blue Velvet Metallic



\*\*Havana Brown Metallic



\*Siren Red Tintcoat

\* Additional Charge.

\*\* No longer available to order as of 11-20-17

## SEO PAINT AVAILABLE

COLOR DESCRIPTION	SEO CODE	WA#
Victory Red <sup>1</sup>	5T4	9260
Green Woodland	9V5	9015
Wheatland Yellow	9W3	253A
Blue	NONE	5665
Dark Toreador Red	NONE	334D

When special paint is specified, all exterior non-metal body parts will be painted gloss Black; including front and rear bumpers front fascia, body side moldings, D-Pillars and rear lift gate applique assemblies. Door handles and mirrors will be grained flat Black

1. Requires SEO (5T4) Exterior body colored parts. Not available with RPO (Z71) Off-Road Suspension Package

## POWERTRAIN

ENGINE				TRANSMISSION		AXLE	
OPTION CODE	TYPE	DISPLACEMENT LITERS/CU. IN.	FUEL SYSTEM	OPTION CODE	TYPE	OPTION CODE	RATIO
L83	V8	5.3/325	Active fuel management	MXO/MYC	6L80 6-speed auto. with OD	GU4	3.08

## TRAILERING SPECIFICATIONS

MODEL	AXLE RATIO	MAXIMUM TRAILER TOWING LBS. (KG)
CC15906	3.08	6300 (2858)
CC15906 with NHT	3.42	8300 (3765)
CK15906	3.08	6000 (2722)
CK15906 with NHT or Z71	3.42	8000 (3629)

Trailering capacity may be limited by tow vehicle ability to carry trailer tongue weight. Addition of trailer tongue weight cannot cause vehicle weights to exceed Rear Gross Axle Weight Rating (RGAWR) or Gross Vehicle Weight Rating (GVWR).

Maximum trailer ratings are calculated assuming standard equipped vehicle, driver and required trailering equipment. The weight of optional equipment, passengers and cargo will reduce the maximum trailer weight your vehicle can tow. 10 to 15% of the trailer weight is the recommended trailer tongue load.

## GCWR For Engine/Rear Axle Ratio Combination - Automatic Transmission

ENGINE(GCWR) GROSS COMBINATION WEIGHT RATINGS LBS. (KG)				
(L83) 5.3L EcoTec3 V8 AFM DI VVT aluminum block	3.08	12000 (5443)	3.42	14000 (6350)
Included and only available with (NHT) Maximum Trailering Package or (Z71) Off-Road Package.				

## EMISSIONS - MUST BE SPECIFIED

<b>FE9</b>	<b>FEDERAL EMISSIONS</b> , Use for ordering vehicles that will be registered in all states except California, Connecticut, Delaware, Maine, Maryland, Massachusetts, New Jersey, New York, Oregon, Pennsylvania, Rhode Island, Vermont and Washington State.
<b>YF5</b>	<b>CALIFORNIA EMISSIONS</b> , Use for ordering vehicles that will be registered in California.
<b>NE1</b>	<b>EMISSIONS</b> , Use for ordering vehicles that will be registered in Connecticut, Delaware, Maine, Maryland, Massachusetts, New Jersey, New York, Oregon, Pennsylvania, Rhode Island, Vermont or Washington State.
<b>NB8</b>	<b>EMISSIONS</b> , Required when option code FE9 "FEDERAL EMISSIONS" is ordered for delivery to a dealer located in California, Connecticut, Delaware, Massachusetts, Maryland, New Jersey, New York, Oregon, Pennsylvania, Rhode Island and Washington State for a purchaser who will be registering the vehicle outside California, Connecticut, Delaware, Maine, Maryland, Massachusetts, New Jersey, New York, Oregon, Pennsylvania, Rhode Island, Vermont and Washington State. Do not use for vehicles that will be registered in California, Connecticut, Delaware, Maine, Maryland, Massachusetts, New Jersey, New York, Oregon, Pennsylvania, Rhode Island, Vermont or Washington State.
<b>NC7</b>	<b>EMISSIONS</b> , Required when option code YF5 "CALIFORNIA EMISSIONS" or option code NE1 "CT/DE/ME/MD/MA/NJ/NY/OR/PA/RI/VT/WA EMISSIONS" is ordered for delivery to a dealer located in any state except California, Connecticut, Delaware, Maine, Maryland, Massachusetts, New Jersey, New York, Oregon, Pennsylvania, Rhode Island, Vermont and Washington State for a purchaser who will be registering the vehicle in one of these states or sold as permitted below under "EPA Policy on the Sale of California Emission Vehicles".
<b>NB9</b>	<b>EMISSIONS</b> , Required when option code YF5 is ordered for delivery to a dealer located in Connecticut, Delaware, Maine, Maryland, Massachusetts, New Jersey, New York, Oregon, Pennsylvania, Rhode Island, Vermont and Washington State. Required when option code NE1 is ordered for delivery to a dealer located in California.

NOTE: For more 2018 Emissions requirements contact your local dealer (reference 2018 Model Year GM Vehicles Emission Requirements Bulletin number GM 17-17 issued August 22, 2017)



## OPTIONAL EQUIPMENT & FEATURES

### INTERIOR

<b>RWU</b>	<b>CARGO AREA ORGANIZER</b> - Collapsible
<b>VRS</b>	<b>CARGO SHADE</b> - Not available on 3500HD Model
<b>VKW</b>	<b>CONSOLE</b> - Front console organizer, storage bin. Not available with (AZ3) Front 40/20/40 split bench seat. (Not available on 3500HD)
<b>UTQ</b>	<b>CONTENT THEFT ALARM DISABLE</b> - Disable
<b>PCW</b>	<b>ENHANCED DRIVER ALERT PACKAGE</b> - Includes (JF4) Power-adjustable pedals, (UEU) Forward Collision Alert, (TQ5) IntelliBeam headlamps, (UHY) Low Speed Forward Automatic Braking, (UHX) Lane Keep Assist with Lane Departure Warning and Safety Alert Driver Seat. Not available with (H2G) Jet Black vinyl interior trim.
<b>B30</b>	<b>FLOOR COVERING</b> - Color-keyed carpeting includes (B58) color keyed floor mats
<b>RIB</b>	<b>FLOOR PACKAGE, ALL-WEATHER</b> - Includes 1st, 2nd and 3rd row coverage. Requires (B30) color-keyed carpeting floor covering. Not available with (PDH) Interior Protection Package, (AAK) all-weather floor liner, or (VAV) all-weather floor mats.
<b>AAK</b>	<b>FLOOR LINER, ALL-WEATHER</b> - 1st and 2nd rows, bright finish badge. Requires (B30) Color-keyed floor covering. Not available with (PDH) Interior Protection Package or (VAV) All-weather floor mats.
<b>PDH</b>	<b>INTERIOR PROTECTION PACKAGE</b> - Not available on Suburban 3500HD
<b>VAV</b>	<b>MATS, FLOOR</b> - All-weather. (Not available on 3500HD Model)
<b>B58</b>	<b>MATS, FLOOR</b> - Color-keyed carpeted first and second row, removable. Included and only available with (B30) color-keyed carpeting, floor covering.
<b>VL1</b>	<b>MATS, REAR CARGO</b> - All-weather. (Not available on 3500HD Model)
<b>UEO</b>	<b>ONSTAR DELETE</b> - Standard Bluetooth functionality remains. Requires a fleet or Government sales order type. (UEO) Not available on 3500HD Model.
<b>JF4</b>	<b>PEDALS, POWER-ADJUSTABLE FOR ACCELERATOR AND BRAKE</b>
<b>BTV</b>	<b>REMOTE VEHICLE START</b>
<b>5T5</b>	<b>SEATS, CLOTH FRONT WITH VINYL REAR</b> - 2nd and 3rd row seating in vinyl trim with black accents.
<b>9U3</b>	<b>SEATS</b> - Driver and passenger front individual seats in cloth trim Power driver and passenger bucket seats in base cloth trim. Derived from RPO (AZ3) 40-20-40 split bench seat with the 20% section removed which also removes the auxiliary power outlet, USB port and input jack for audio system. Does not include a floor console. All exposed floor area will remain untrimmed.
<b>9S1</b>	<b>SEATS</b> - Driver and passenger front, individual seats in vinyl trim Driver and passenger front individual seats in base vinyl trim. Derived from a RPO (AZ3) 40-20-40 split bench seat with the 20% section removed which also removes the auxiliary power outlet, USB port and input jack for audio system. Seats are manual, not power. Does not include a floor console. All exposed floor area will remain untrimmed. Rear seat will also be vinyl trimmed. Requires (AZ3) 40/20/40 split bench seat, trim code (H2G) Jet Black vinyl and (BG9) rubberized-vinyl floor covering.
<b>A95</b>	<b>SEATS, FRONT BUCKET, WITH PREMIUM CLOTH</b> - Power fore/aft, power recline and Power lumbar, 10-way power driver seat includes 6-way power cushion, 2-way power lumbar control and power recline. Includes (AYQ) frontal and side-impact for driver and front passenger airbags and (D07) front center console.

### EXTERIOR

<b>SFZ</b>	<b>BLACK BOWTIE EMBLEMS</b> - Front and rear
<b>R88</b>	<b>BLACK ILLUMINATED FRONT BOWTIE EMBLEM</b> - Includes Black illuminated front bowtie and Black non-illuminated rear bowtie. Not available with (SFZ) Black bowtie emblems or (RN2) Gold illuminated front bowtie emblem.
<b>VQZ</b>	<b>EXHAUST TIP</b> - Polished
<b>AKP</b>	<b>GLASS</b> - Solar absorbing, non deep tint
<b>RN2</b>	<b>GOLD ILLUMINATED FRONT BOWTIE EMBLEM</b> - Includes Gold illuminated front bowtie and Gold non-illuminated rear bowtie. Not available with (SFZ) Black bowtie emblems, LPO or (R88) Black illuminated front bowtie emblem.
<b>5HP</b>	<b>KEYS</b> - 6 additional keys. <b>NOTE: programming of keys is at customer's expense. Programming keys is not a warranty expense</b>
<b>NK3</b>	<b>LICENSE PLATE FRONT MOUNTING PACKAGE</b> - Will be forced on orders with ship-to states that require a front license plate.
<b>VQQ</b>	<b>LUGGAGE RACK CROSS RAILS</b> - Black
<b>B85</b>	<b>MOLDINGS</b> - Bright bodyside. Not available with (B86) body-color bodyside moldings.
<b>B86</b>	<b>MOLDINGS</b> - Body-color bodyside. Not available with (B85) bright bodyside moldings or (TGK) Special Paint.
<b>9V5</b>	<b>PAINT</b> - Solid, Woodland Green. All normally body colored non-sheet metal parts will be flat Black. Front fascia, rear fascia, rear D-pillar appliqué and liftgate spoiler will be gloss Black. Door handles and mirrors will be grain Black. Deletes standard/packaged body-side moldings. Requires SEO (TGK) Special Paint and (01U) Special Paint.
<b>9W3</b>	<b>PAINT</b> - Solid, Wheatland Yellow All normally body colored non-sheet metal parts will be flat Black. Front fascia, rear fascia, rear D-pillar appliqué and liftgate spoiler will be gloss Black. Door handles and mirrors will be grain Black. Deletes standard/packaged body-side moldings. Requires SEO (TGK) Special Paint and (01U) Special Paint
<b>TGK</b>	<b>PAINT SPECIAL, SOLID, ONE COLOR</b> - Requires (01U) Special Paint with any SEO paint selection. Not available with (RWK) painted body-side moldings. May require extra lead time and will require 5 orders before sending to the plant.
<b>5T4</b>	<b>PAINTED EXTERIOR COLORED BODY PARTS</b> - Victory Red with special paint WA9260; Victory Red painted front and rear fascias, rear liftgate handle and rear license plate applique, body side moldings and door handles. Required with Victory Red special paint WA9260

<b>VLG</b>	<b>REAR FASCIA CLOSEOUT</b> - Available with (GAN) Silver Ice Metallic, (GAZ) Summit White, (GBA) Black or (GWT) Champagne Silver Metallic exterior colors. Not available with (S6N) Trailer hitch insert (Not available on 3500HD)
<b>V76</b>	<b>RECOVERY HOOKS BLACK</b> - Front, frame-mounted. Standard with 4WD models. Available with 2WD models. Required when ordering SEO (5T4) Victory Red exterior body colored parts or included and only available with (Z71) Off-Road Package.
<b>TRW</b>	<b>ROOF MOUNTED LAMP</b> - Provision for roof mounted lamp
<b>SDA</b>	<b>BLACK RECOVERY HOOKS</b> - Not available on 4WD models. Not available with (VQY) Chrome recovery hooks LPO.
<b>VQK</b>	<b>SPLASH GUARDS, MOLDED</b> - Black. (Not available on 3500HD). Requires (BVE) Black assist steps.
<b>VRV</b>	<b>SPLASH GUARDS, CUSTOM MOLDED</b> - Body-color. Requires one of the following exterior colors: (GAN) Silver Ice Metallic, (GAZ) Summit White or (GBA) Black. Not available with (VQK) Molded splash guards, LPO, (VXH) Assist step kit, Chrome, LPO or (RVQ) Assist step kit
<b>RKX</b>	<b>TIRES</b> - P265/65R18 All-season, Blackwall. Required when (NHT) Max Trailering Package is ordered.
<b>RC4</b>	<b>TIRE SPARE</b> - P265/70R17 All-season, Blackwall
<b>4JQ</b>	<b>TIRE SPARE</b> - P265/70R17 all terrain blackwall. Replaces the standard blackwall all season spare tire with all terrain tread spare matching road tires. Requires 4WD model and (RC3) P265/70R17 all-terrain blackwall tires.
<b>PZX</b>	<b>WHEELS</b> - 18" x 8.5" (45.7 cm x 21.6 cm) aluminum with high-polished finish. Required when (NHT) Max Trailering Package is ordered.
<b>SFE</b>	<b>WHEEL LOCKS</b> - Set of 4 (Not available on 3500HD)
<b>SFJ</b>	<b>WINDOW SHADE</b> - Reflective Window Shade

## CHASSIS

<b>K4B</b>	<b>BATTERY</b> - Auxiliary, isolated, 730 CCA
<b>KNP</b>	<b>COOLING</b> - Auxiliary transmission oil cooler. Included and only available with (K5L) HD Trailerling Package <sup>7</sup> on 1/2 ton
<b>FHS</b>	<b>E85 FLEX<sup>1</sup> FUEL CAPABLE</b> - Included and only available with Fleet or Government order types
<b>K05</b>	<b>ENGINE BLOCK HEATER</b>
<b>R9Y</b>	<b>FLEET FREE MAINTENANCE CREDIT</b> - This option code provides a credit in lieu of the free oil changes, tire rotations and inspections (2 maximum), during the first 24 months and 24,000 miles period for this ordered vehicle. The invoice will detail the applicable credit. The Customer will be responsible for all oil change, tire rotations and inspections cost for this vehicle. <b>NOTE: If the order is received without (R9Y), we will not be able to credit the customer thought an adjustment afterwards</b>
<b>5JL</b>	<b>FRONT BRAKE KIT, PERFORMANCE</b> - Includes Red Brembo 6-piston brake calipers with larger than stock pads and rotors (front brakes only with Chevrolet logo) Requires any 22" LPO wheels.
<b>NHT</b>	<b>MAX TRAILERING PACKAGE</b> - Requires 4WD model and (PZX) 18" aluminum wheels. Includes (GU6) 3.42 rear axle ratio, (JL1) trailer brake controller and (Z85) Suspension Package. 4WD models also require (NQH) 2 speed active Transfer case, (RKX) P265/65R18 all-season blackwall tires.
<b>GU6</b>	<b>REAR AXLE</b> - 3.42 Ratio Included and only available with option (NHT) maximum trailering package
<b>V76</b>	<b>RECOVERY HOOKS</b> - Two front frame-mounted, black. Required on 4WD models and all models going to Alaska, Guam, Hawaii, Puerto Rico and Virgin Islands.
<b>VPV</b>	<b>SHIP THRU</b> - Produced in Arlington Assembly and shipped to Kerr Industries and onto Arlington Assembly (MSRP = \$130.00)
<b>NZZ</b>	<b>SKID PLATE PACKAGE</b> - Includes aluminum Skid Plate Package starting behind front bumper and running to first cross-member, protecting front underbody, oil pan, differential case and transfer case, frame-mounted shield. Requires 4WD models and a Fleet or Government sales order type.
<b>9G3</b>	<b>SUSPENSION PACKAGE</b> - Off-Road, includes (Z71) Off-Road suspension, (NQH) 2-speed active transfer case, (NZZ) Skid Plate Package, (RD6) 17" x 8" painted steel wheels and (RC3) P265/70R17 all-terrain, blackwall tires. Not available with (Not available on 3500HD Model)
<b>NQH</b>	<b>TRANSFER CASE</b> - Active 2-speed electronic autotrak with rotary controls includes neutral position for dinghy towing, requires 4WD models. Included with (NHT) Maximum Trailering Package
<b>S6N</b>	<b>TRAILER HITCH</b> - Insert

1. E85 is 85% ethanol and 15% gasoline.





**ONSTAR®, 4G LTE WITH Wi-Fi and SIRIUS XM RADIO AVAILABILITY**

**Impala 1FL    Tahoe 9C1    Tahoe SSV    Suburban 1FL    Suburban 3500HD    Silverado SSV    Cargo Van    Passenger Van**

**ONSTAR® SERVICE PLANS**

Basic Plan	S	S	S	S	S	O*	S	S
UE1	S	S	S	S	S	O	S	S
VV4	S	S	S	S	S	O	S	S
PQF	O	O	O	O	O	O	O	O
PQG	O	O	O	O	O	O	O	O
PQH	O	O	O	O	O	O	O	O
PQI	O	O	O	O	O	O	O	O
PQL	O	O	O	O	O	O	O	O
PQM	O	O	O	O	O	O	O	O
PQP	O	O	O	O	O	O	O	O
PQQ	O	O	O	O	O	O	O	O
PQT	O	O	O	O	O	O	O	O
PRD	O	O	O	O	O	O	O	O
PRE	O	O	O	O	O	O	O	O
PRF	O	O	O	O	O	O	O	O
UEO - ONSTAR® Delete	N/A	O	O	O	N/A	N/A	O	O

\* Included when UE1 is ordered

**ONSTAR® 4G LTE WITH Wi-Fi SERVICE PLANS**

ROV	O	O	O	O	O	O	O	O
ROW	O	O	O	O	O	O	O	O

**SIRIUS XM SATELLITE RADIO**

U2K	S	N/A	N/A	N/A	S	S	O	O
PR6	O	N/A	N/A	N/A	O	O	O	O
PR7	O	N/A	N/A	N/A	O	O	O	O
PR8	O	N/A	N/A	N/A	O	O	O	O

**GM COMMERCIAL LINK**

POG	O	O	O	O	O	O	O	O
POH	O	O	O	O	O	O	O	O
POI	O	O	O	O	O	O	O	O

**S = Standard**

**O = Optional**

**N/A = Not Available**

Description of option codes attached or spinning the wheels with chains on will damage the vehicle.



## ONSTAR® SERVICE PLANS

### **ONSTAR® BASIC PLAN FOR 5 YEARS**

Includes limited vehicle mobile app features, Monthly Diagnostics Report and Dealer Maintenance Notification. Basic Plan available for 5 years from the date of vehicle delivery and is transferable. Does not include Emergency, Security or Navigation services.

### **UE1 - ONSTAR® GUIDANCE PLAN FOR 6 MONTHS**

Includes Automatic Crash Response, Stolen Vehicle Assistance, Roadside Assistance, Turn-by-Turn Navigation, Advanced Diagnostics and more (trial excludes Hands-Free Calling minutes). Visit [www.ONSTAR.com](http://www.ONSTAR.com) for coverage map, details and system limitations. Services vary by model. ONSTAR® acts as a link to existing emergency service providers. Not all vehicles may transmit all crash data.

### **VV4 - ONSTAR® 4G LTE**

Available built-in Wi-Fi hotspot offers a fast and reliable Internet connection for up to 7 devices; includes data trial for 3 months or 3GB (whichever comes first). Requires (UE1) ONSTAR® Guidance plan. Available Wi-Fi requires compatible mobile device, active ONSTAR® service and data plan. Data plans provided by AT&T. Visit [ONSTAR.com](http://ONSTAR.com) for details and system limitations.

### **PQF - ONSTAR® 6 MONTHS OF ONSTAR® PROTECTION SERVICE**

Provides 6 months of Protection service in addition to the 6 months of standard Guidance Plan trial service that is included in the price of the vehicle (trial excludes Hands-Free Calling minutes). Total service duration is 12 months. Requires UE1 ONSTAR®. Requires one of the following Fleet or Government order types: FLS, FNR, FRC, FBC, FGO or FEF. Not available with PQI, PQL, PQM, PQP, PQQ, PQT, PRE and PRF. Not available with a ship-to of Puerto Rico or the Virgin Islands. Available to order in addition to PQG, PQH or PRD.

### **PQG - ONSTAR® 18 MONTHS OF ONSTAR® PROTECTION SERVICE**

Provides 18 months of Protection service in addition to the 6 months of standard Guidance Plan trial service that is included in the price of the vehicle (trial excludes Hands-Free Calling minutes). Total service duration is 24 months. Requires UE1 ONSTAR®. Requires one of the following Fleet or Government order types: FLS, FNR, FRC, FBC, FGO or FEF. Not available with PQI, PQL, PQM, PQP, PQQ, PQT, PRE and PRF. Not available with a ship-to of Puerto Rico or the Virgin Islands. Available to order in addition to PQF, PQH or PRD.

### **PQH - ONSTAR® 30 MONTHS OF ONSTAR® PROTECTION SERVICE**

Provides 30 months of Protection service in addition to the 6 months of standard Guidance Plan trial service that is included in the price of the vehicle (trial excludes Hands-Free Calling minutes). Total service duration is 36 months. Requires UE1 ONSTAR®. Requires one of the following Fleet or Government order types: FLS, FNR, FRC, FBC, FGO or FEF. Not available with PQI, PQL, PQM, PQP, PQQ, PQT, PRE and PRF. Not available with a ship-to of Puerto Rico or the Virgin Islands. Available to order in addition to PQF, PQG or PRD.

### **PQI - ONSTAR® 6 MONTHS OF ONSTAR® SECURITY SERVICE**

Provides 6 months of Security service in addition to the 6 months of standard Guidance Plan trial. Requires UE1 ONSTAR®. Requires one of the following Fleet or Government order types: FLS, FNR, FRC, FBC, FGO or FEF. Not available with PQF, PQG, PQH, PQP, PQQ, PQT service that is included in the price of the vehicle (trial excludes Hands-Free Calling minutes). Total service duration is 12 months. PRD and PRF. Not available with a ship-to of Puerto Rico or the Virgin Islands. Available to order in addition to PQL, PQM or PRE.

### **PQL - ONSTAR® 18 MONTHS OF ONSTAR® SECURITY SERVICE**

Provides 18 months of Security service in addition to the 6 months of standard Guidance Plan trial service that is included in the price of the vehicle (trial excludes Hands-Free Calling minutes). Total service duration is 24 months. Requires UE1 ONSTAR®. Requires one of the following Fleet or Government order types: FLS, FNR, FRC, FBC, FGO or FEF. Not available with PQF, PQG, PQH, PQP, PQQ, PQT, PRD and PRF. Not available with a ship-to of Puerto Rico or the Virgin Islands. Available to order in addition to PQI, PQM or PRE.

### **PQM - ONSTAR® 30 MONTHS OF ONSTAR® SECURITY SERVICE**

Provides 30 months of Security service in addition to the 6 months of standard Guidance Plan trial service that is included in the price of the vehicle (trial excludes Hands-Free Calling minutes). Total service duration is 36 months. Requires UE1 ONSTAR®. Requires one of the following Fleet or Government order types: FLS, FNR, FRC, FBC, FGO or FEF. Not available with PQF, PQG, PQH, PQP, PQQ, PQT, PRD and PRF. Not available with a ship-to of Puerto Rico or the Virgin Islands. Available to order in addition to PQI, PQL or PRE.

### **PQP - ONSTAR® ADDITIONAL 6 MONTHS OF ONSTAR® FLEET GUIDANCE SERVICE**

Provides 6 months of Fleet Guidance service in addition to the 6 months of standard Guidance Plan trial service that is included in the price of the vehicle (plan excludes Hands-Free Calling minutes). Total service duration is 12 months. Requires UE1 ONSTAR®. Requires one of the following Fleet or Government order types: FLS, FNR, FRC, FBC, FGO or FEF. Not available with PQF, PQG, PQH, PQI, PQL, PQM, PRD and PRE. Not available with a ship-to of Puerto Rico or the Virgin Islands. Available to order in addition to PQQ, PQT or PRF.

### **PQQ - ONSTAR® ADDITIONAL 18 MONTHS OF ONSTAR® FLEET GUIDANCE SERVICE**

Provides 18 months of Fleet Guidance service in addition to the 6 months of standard Guidance Plan trial service that is included in the price of the vehicle (plan excludes Hands-Free Calling minutes). Total service duration is 24 months. Requires UE1 ONSTAR®. Requires one of the following Fleet or Government order types: FLS, FNR, FRC, FBC, FGO or FEF. Not available with PQF, PQG, PQH, PQI, PQL, PQM, PRD and PRE. Not available with a ship-to of Puerto Rico or the Virgin Islands. Available to order in addition to PQP, PQT or PRF.

### **PQT - ONSTAR® ADDITIONAL 30 MONTHS OF ONSTAR® FLEET GUIDANCE SERVICE**

Provides 30 months of Guidance service in addition to the 6 months of standard Guidance Plan trial service that is included in the price of the vehicle (plan excludes Hands-Free Calling minutes). Total service duration is 36 months. Requires UE1 ONSTAR®. Requires one of the following Fleet or Government order types: FLS, FNR, FRC, FBC, FGO or FEF. Not available with PQF, PQG, PQH, PQI, PQL, PQM, PRD and PRE. Not available with a ship-to of Puerto Rico or the Virgin Islands. Available to order in addition to PQP, PQQ or PRF.



## ONSTAR® SERVICE PLANS (CONTINUED)

### **PRD - ONSTAR® 42 MONTHS OF ONSTAR® PROTECTION SERVICE**

Provides 42 months of Protection service in addition to the 6 months of standard Guidance plan trial service that is included in the price of the vehicle (trial excludes Hands-Free Calling minutes). Total service duration is 48 months. Requires UE1 ONSTAR®. Requires one of the following Fleet or Government order types: FLS, FNR, FRC, FBC, FGO or FEF. Not available with PQI, PQL, PQM, PQP, PQQ, PQT, PRE and PRF. Not available with a ship-to of Puerto Rico or the Virgin Islands. Available to order in addition to PQF, PQG or PQH.

### **PRE - ONSTAR® 42 MONTHS OF ONSTAR® SECURITY SERVICE**

Provides 42 months of Security service in addition to the 6 months of standard Guidance plan trial service that is included in the price of the vehicle (trial excludes Hands-Free Calling minutes). Total service duration is 48 months. Requires UE1 ONSTAR®. Requires one of the following Fleet or Government order types: FLS, FNR, FRC, FBC, FGO or FEF. Not available with PQF, PQG, PQH, PQP, PQQ, PQT, PRD and PRF. Not available with a ship-to of Puerto Rico or the Virgin Islands. Available to order in addition to PQI, PQL or PQM.

### **PRF - ONSTAR® ADDITIONAL 42 MONTHS OF ONSTAR® FLEET GUIDANCE SERVICE**

Provides 42 months of Guidance service in addition to the 6 months of standard Guidance plan trial service that is included in the price of the vehicle (trial and plan excludes Hands-Free Calling minutes). Total service duration is 48 months. Requires UE1 ONSTAR®. Requires one of the following Fleet or Government order types: FLS, FNR, FRC, FBC, FGO or FEF. Not available with PQF, PQG, PQH, PQI, PQL, PQM, PRD and PRE. Not available with a ship-to of Puerto Rico or the Virgin Islands. Available to order in addition to PQP, PQQ or PQT.

### **UE0 - ONSTAR®, DELETE**

## Wi-Fi SERVICE PLANS

### **ROV - ONSTAR® WITH 4G LTE FOR FLEET (20GB/12 MONTHS)**

Provides a built-in Wi-Fi hotspot to connect to the internet at 4G LTE speeds, includes AT&T 12GB data plan good for 12months. 1 - Requires (UE1) ONSTAR® and (VV4) ONSTAR® with 4G LTE and one of the following order types FLS, FNR, FRC, FBC, FGO or FEF. Not available with ROW. Visit [www.ONSTAR.com](http://www.ONSTAR.com) for vehicle availability, details and system limitations. Services and connectivity may vary by model and conditions. 4G LTE service available in select markets. 4G LTE performance based on industry averages and vehicle systems design. Some services require data plan.

### **ROW - ONSTAR® WITH 4G LTE FOR FLEET (36GB/24 MONTHS)**

Provides a built-in Wi-Fi hotspot to connect to the internet at 4G LTE speeds, includes AT&T 24GB data plan good for 24 months. Requires (UE1) ONSTAR® and (VV4) ONSTAR® with 4G LTE and one of the following order types: FLS, FNR, FRC, FBC, FGO or FEF. Not available with ROV. Visit [www.ONSTAR.com](http://www.ONSTAR.com) for vehicle availability, details and system limitations. Services and connectivity may vary by model and conditions. 4G LTE service available in select markets. 4G LTE performance based on industry averages and vehicle systems design. Some services require data plan.



## SIRIUS XM SATELLITE RADIO

### **U2K SIRIUSXM® SATELLITE RADIO IS STANDARD ON NEARLY ALL 2017 GM MODELS**

Enjoy a 3-month All Access trial subscription with over 150 channels including commercial-free music, plus sports, news and entertainment. Plus listening on the app and online is included, so you'll hear the best SiriusXM® has to offer, anywhere life takes you. Welcome to the world of SiriusXM.

IMPORTANT: The SiriusXM® Satellite Radio trial package is not provided on vehicles that are ordered for Fleet Daily Rental ("FDR") use. If you decide to continue service after your trial, the subscription plan you choose will automatically renew thereafter and you will be charged according to your chosen payment method at then-current rates. Fees and taxes apply. To cancel you must call us at 1-866-635-2349. See our Customer Agreement for complete terms at [www.siriusxm.com](http://www.siriusxm.com). All fees and programming subject to change.

### **PR6 - SIRIUSXM® SATELLITE RADIO ADDITIONAL 9 MONTHS OF THE SIRIUSXM® ALL ACCESS PACKAGE**

Includes 150 channels of commercial-free music plus every major sport and the biggest names in entertainment, news and comedy in vehicle plus 9 months of listening on the SiriusXM® app or online in addition to the 3 months of All Access trial service that is included in the price of the vehicle. Total service duration is 12 months. Non-Transferrable. Non-Refundable. Requires (U2K) SiriusXM® Satellite Radio and a Fleet or Government order type. Not available with FDR order types, PR7 or PR8. Not available in AK, HI, PR and VI.

### **PR7 - SIRIUSXM® SATELLITE RADIO ADDITIONAL 21 MONTHS OF THE SIRIUSXM® ALL ACCESS PACKAGE**

Includes 150 channels of commercial-free music plus every major sport and the biggest names in entertainment, news and comedy in vehicle plus 21 months of listening on the SiriusXM® app or online in addition to the 3 months of All Access trial service that is included in the price of the vehicle. Total service duration is 24 months. Non-Transferrable. Non-Refundable. Requires (U2K) SiriusXM® Satellite Radio and a Fleet or Government order type. Not available with FDR order types, PR6 or PR8. Not available in AK, HI, PR and VI.

### **PR8 - SIRIUSXM® SATELLITE RADIO ADDITIONAL 33 MONTHS OF THE SIRIUSXM® ALL ACCESS PACKAGE**

Includes 150 channels of commercial-free music plus every major sport and the biggest names in entertainment, news and comedy in vehicle plus 33 months of listening on the SiriusXM® app or online in addition to the 3 months of All Access trial service that is included in the price of the vehicle. Total service duration is 36 months. Non-Transferrable. Non-Refundable. Requires (U2K) SiriusXM® Satellite Radio and a Fleet or Government order type. Not available with FDR order types, PR6 or PR7. Not available in AK, HI, PR and VI.

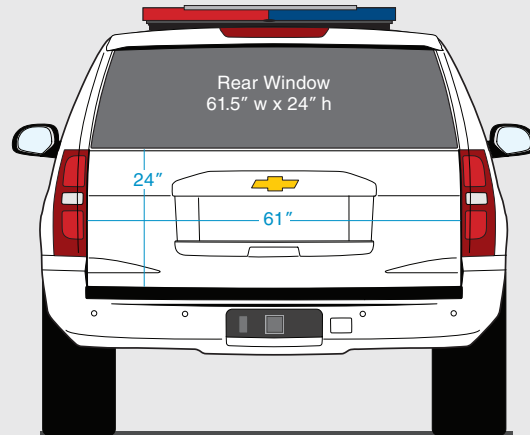
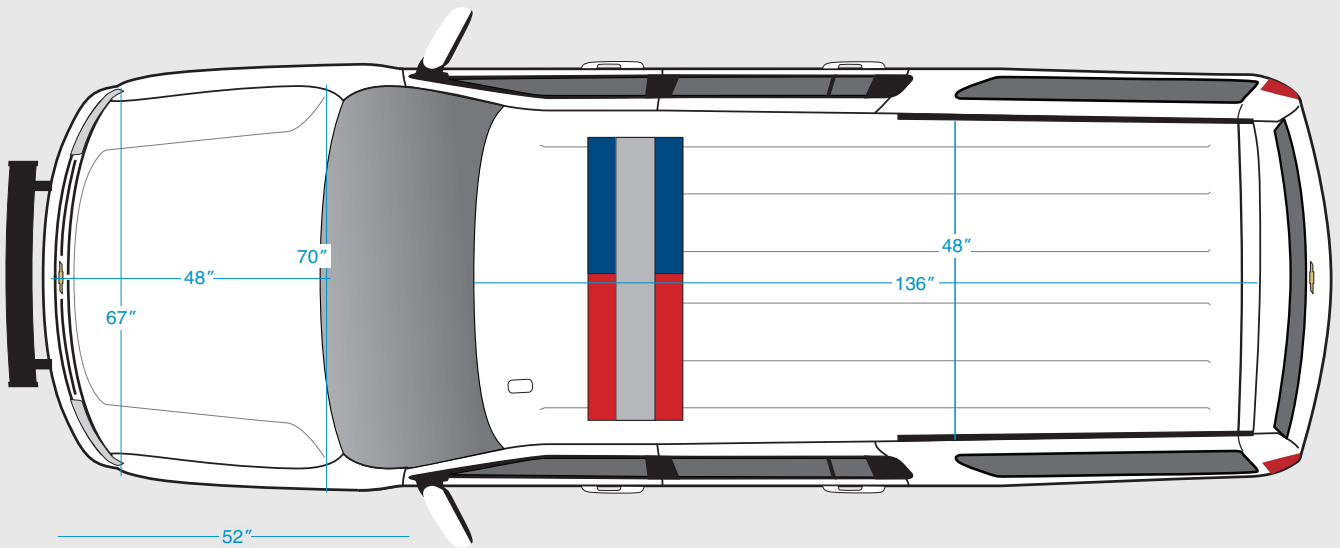
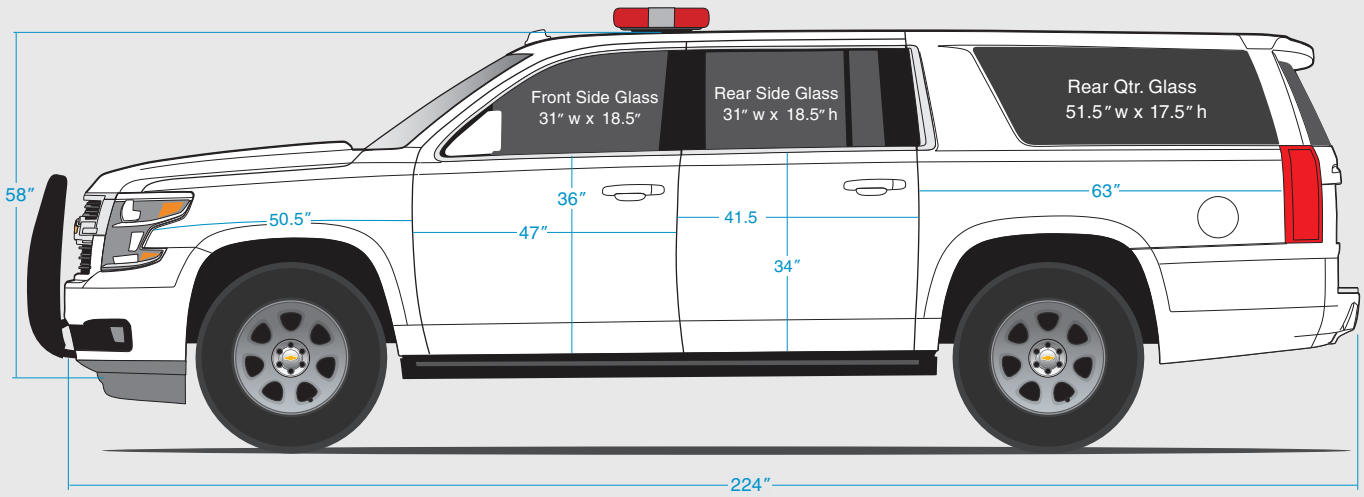
## GM COMMERCIAL LINK

**POG GM COMMERCIAL LINK 1 YEAR OF SERVICE** - Includes 12 months of GM Commercial Link service. Provides access and reporting for key vehicle information such as speed, location and maintenance through website and mobile application. Eligible customers must sign up for an account at [www.gmcommerciallink.com](http://www.gmcommerciallink.com) in order take advantage of this 12 month offer. The Commercial Link service is included in the price of the vehicle. Total service duration is 12 months. Non-Transferrable. Non-Refundable. Requires UE1 OnStar. Requires one of the following Fleet or Government order types: FLS, FNR, FRC, FBC, FGO or FEF. Not available with (POH) GM Commercial Link - 2 years of Service or (POI) GM Commercial Link - 3 years of Service.

**POH GM COMMERCIAL LINK 2 YEARS OF SERVICE** - Includes 24 months of GM Commercial Link service. Provides access and reporting for key vehicle information such as speed, location and maintenance through website and mobile application. Eligible customers must sign up for an account at [www.gmcommerciallink.com](http://www.gmcommerciallink.com) in order take advantage of this 24 month offer. The Commercial Link service is included in the price of the vehicle. Total service duration is 24 months. Non-Transferrable. Non-Refundable. Requires UE1 OnStar. Requires one of the following Fleet or Government order types: FLS, FNR, FRC, FBC, FGO or FEF. Not available with (POG) GM Commercial Link - 1 year of Service or (POI) GM Commercial Link - 3 years of Service.

**POI GM COMMERCIAL LINK 3 YEARS OF SERVICE** - Includes 36 months of GM Commercial Link service. Provides access and reporting for key vehicle information such as speed, location and maintenance through website and mobile application. Eligible customers must sign up for an account at [www.gmcommerciallink.com](http://www.gmcommerciallink.com) in order take advantage of this 36 month offer. The Commercial Link service is included in the price of the vehicle. Total service duration is 36 months. Non-Transferrable. Non-Refundable. Requires UE1 OnStar. Requires one of the following Fleet or Government order types: FLS, FNR, FRC, FBC, FGO or FEF. Not available with (POG) GM Commercial Link - 1 year of Service or (POH) GM Commercial Link - 2 years of Service.

DIMENSIONS



Estimated material sizes to wrap:

- Hood – 72" x 52"
- Front Doors – 50" x 38"
- Rear Doors – 42" x 36"
- Roof – 140" x 55"
- Rear hatch – 63" x 26"

## SPECIFICATIONS

Specifications shown are for Police and Special Service Vehicles only which differ from retail civilian models

### GENERAL

Model	CC15906	CK15906
Drive	2WD	4x4
Projected top speed (3.08 axle)	112 mph	112 mph
Projected top speed (3.42 axle)	104 mph	112 mph
Seating capacity (front/center/rear)	3/3/3	3/3/3

**NOTE: Adding non dealer accessories or making modifications to the vehicle can affect vehicle performance, aerodynamics, and overall top speed.**

### EXTERIOR (in./mm)

Wheelbase	130.0/3302	130.0/3302
Overall length	224.4/5700	224.4/5700
Body width (without mirrors)	80.5/2045	80.5/2045
Overall height*	74.4/1890	74.4/1890
Turning diameter, curb-to-curb, ft. (m)	TBD	TBD
Ground clearance*, front	7.91/201	7.91/201

\*Published dimensions indicated are at Base Curb Weight.

### FRONT COMPARTMENT (in./mm)

Head room	42.8/1087	42.8/1087
Shoulder room	64.8/1646	64.8/1646
Hip room	60.8/1544	60.8/1544
Leg room	45.3/1151	45.3/1151

### CENTER COMPARTMENT (in./mm)

Head room	39.1/993	39.1/993
Shoulder room	65.1/1654	65.1/1654
Hip room	60.3/1532	60.3/1532
Leg room	39.7/1008	39.7/1008

### REAR COMPARTMENT (in./mm)

Head room	38.5/978	38.5/978
Shoulder room	62.6/1590	62.6/1590
Hip room	49.3/1252	49.3/1252
Leg room	34.5/876	34.5/876

### CARGO

Ground to top of rear load floor	34.13/867	34.13/867
Load floor length, to front seat, at floor	100.3/2548	100.3/2548
Load floor length, to center seat, at floor	63.6/1615	63.6/1615
Load floor length, to rear seat, at floor	31.6/803	31.6/803
Inside width, between wheelhousing	49.3/1252	49.3/1252
Cargo area height	34.92/887	34.92/887

**NOTE: For additional dimensional data go to: [gmupfitter.com](http://gmupfitter.com)**

### PASS. COMPARTMENT VOLUME INDEX (cu.ft./liters)

Cargo Volume <sup>1</sup> , cu. ft. (liters)	121.7/3446.5	121.7/3446.5
Cargo Volume <sup>1</sup> behind 2nd seat	76.7/2172.1	76.7/2172.1
Cargo Volume <sup>1</sup> behind 3rd seat	39.3/1113.0	39.3/1113.0

### PRELIMINARY FUEL ECONOMY RATINGS (CITY/HIGHWAY/COMBINED)

5.3L engine	16/23/19	15/22/18
-------------	----------	----------

**Note: EPA estimated MPG label values. Actual mileage will vary with options, driving conditions, driving habits and vehicle condition.**

1. Cargo and load capacity limited by weight and distribution.

3. Gross Vehicle Weight Rating (GVWR). When properly equipped, includes vehicle, passengers, cargo and equipment.

4. Base curb weight in operational status with 100% fuel, fluids and standard base equipment (excludes optional content)

5. These maximum payload ratings are intended for comparison purposes only. Before you buy a vehicle or use it to haul people or cargo, carefully review the vehicle loading section of the Owner's Manual and check the carrying capacity of your specific vehicle on the label on the inside of the driver's door jamb.

### VEHICLE WEIGHT (lbs./kg.)

Payload <sup>5</sup>	1690/767	1650/748
Base curb weight <sup>4</sup>	5586/2534	5822/2641
GVWR <sup>3</sup> (Gross Vehicle Weight Rating)	7300/3311	7500/3402
FGAWR (Front Gross Axle Weight Rating)	3500/1588	3600/1633
RGAWR (Rear Gross Axle Weight Rating)	4200/1905	4200/1905

**NOTE: See owner's manual supplement for loading information**

### ENGINE

Type	EcoTec3 V8
Displacement: liters/cu. in.	5.3/325
Horsepower/rpm	355 @ 5600
Torque lb.-ft./rpm	382 @ 4100
Induction system	Direct Injection
Compression ratio	11.0:1
Exhaust	Single
Minimum recommended fuel octane	87
Fuel capacity, approximate, gallon (liters)	31/117
Oil with filter (quarts/liters)	8.0/7.6
Cooling capacity (quarts/liters)	17.4/16.5

### TRANSMISSION

Automatic electronic with overdrive	6-speed
Fluid pan removed and filter replaced (quarts/liters)	6.0/5.7

### AXLE

Ratio	3.08
-------	------

### BRAKES

ABS with vacuum-boost	Disc/Disc
Front-swept area (sq. in./sq. cm)	256.6/1655
Rear-swept area (sq. in./sq. cm)	248/1600
Total front and rear swept area (sq. in./sq. cm)	504.6/3255
Front rotor diameter (in./mm)	13.0/330
Rear rotor diameter (in./mm)	13.5/345
Front rotor thickness (in./mm)	1.2/30
Rear rotor thickness (in./mm)	.79/20

### TIRES

Type	All Terrain Blackwall
Size	P265/70R17

### WHEELS

Type	Steel
Size	17" x 8"

### CHASSIS

Frame	Full perimeter steel
Front suspension	Coil over shock and stabilizer bar
Rear suspension	Multi-link, coil springs
Steering type	Rack and pinion
Steering ratio	17.75:1

### BATTERIES

	PRIMARY	OPTIONAL AUXILIARY
Type	Maintenance free	Maintenance free
BCI group size	LN4	LN3
Volts	12	12
Amp hour rating	80	70
Cold cranking-amps @ 0°F (-18°C)	720	730

### ALTERNATOR

Amps	77°F (25°C)	150
------	-------------	-----



## 2018 SUBURBAN 3500HD MODELS AVAILABLE IN 'LS' AND 'LT'



Shown with aftermarket equipment



3500HD LT model shown with aftermarket equipment



### STANDARD HIGHLIGHTS

- Exclusive Heavy Duty Suspension & Brakes Package with 11,000lb GVWR
- 8 Lug 17" Aluminum Wheels
- Engine V8, 6.0L, SFI & VVT
- 4WD with electronic 2 speed Autotrac
- 220 amp Alternator
- Auxiliary Isolated Battery
- Larger Side View Mirrors (black)
- Rear Vision Camera
- High Capacity Air Cleaner
- Rear Park Assist with audible warning
- Driver Seat Center Mounted Airbag
- 110v Power Outlet (3 prong) 1.36 amps
- MyLink 8" Display Radio
- Front Recovery Hooks (frame mounted)
- Skid Plate Package
- Teen Driver Mode

### AVAILABLE FEATURES

- Forward Collision Alert
- Lane Departure Warning
- Hands Free Power Lifgate (LT only)
- Passive Entry (LT only)
- Push To Start Keyless Entry (LT only)
- Power Fold Flat Rear Seats (LT only)
- Rear Cross Traffic Alert (LT Only)
- Side Blind Zone Alert (LT only)
- Fog Lamps (LT only)
- MyLink Radio with Navigation (LT only)
- Universal Home Remote (LT only)
- Wireless Charging Capability (LT only)
- Leather Heated Front Seats (LT only)
- Heated Steering Wheel (LT only)
- Memory Power Pedals, Seating, Mirrors, Tilt & Telescope Steering Column (LT only)

For more information visit the order guide section at [gmfleet.com](http://gmfleet.com)

## SPECIFICATIONS

Specifications shown are for Police and Special Service Vehicles only which differ from retail civilian models

### GENERAL

Model	CK35906
Drive	4x4
Projected top speed	95 mph
Standard seating capacity (front/center/rear)	2/3/3
Optional seating capacity (front/center/rear)	2/2/3

**Note: Adding non dealer accessories or making modifications to the vehicle can affect vehicle performance, aerodynamics, and overall top speed.**

### EXTERIOR (in./mm)

Wheelbase	130.0/3302
Overall length	224.4/5700
Body width (without mirrors)	80.5/2045
Overall height*	75.6/1920
Turning diameter, curb-to-curb, ft. (m)	TBD
Ground clearance* (front)	7.85/199

\*Published dimensions indicated are at Base Curb Weight.

### FRONT COMPARTMENT (in./mm)

Head room	42.8/1087
Shoulder room	64.8/1646
Hip room	60.8/1544
Leg room	45.3/1151

### CENTER COMPARTMENT (in./mm)

Head room	39.1/993
Shoulder room	65.1/1654
Hip room	60.3/1532
Leg room	39.7/1008

### REAR COMPARTMENT (in./mm)

Head room	38.5/978
Shoulder room	62.6/1590
Hip room	49.3/1252
Leg room	34.5/876

### CARGO

Ground to top of rear load floor	35.43/900
Load floor length, to front seat, at floor	100.3/2548
Load floor length, to center seat, at floor	63.6/1615
Load floor length, to rear seat, at floor	31.6/803
Inside width, between wheelhousing	49.3/1252
Cargo area height	34.92/887

**NOTE: For additional dimensional data go to: [gmupfitter.com](http://gmupfitter.com)**

### PASSENGER COMPARTMENT VOLUME INDEX (cu.ft./liters)

Cargo Volume <sup>1</sup> , cu. ft. (liters)	121.7/3446.5
Cargo Volume <sup>1</sup> behind 2nd seat	76.7/2172.1
Cargo Volume <sup>1</sup> behind 3rd seat	38.9/1101.6

### VEHICLE WEIGHT (lbs./kg.)

Payload <sup>5</sup>	4405/1998
Base curb weight <sup>4</sup>	6585/2987
GVWR Gross Vehicle Weight Rating <sup>3</sup>	11000/4990
FGAWR Front Gross Axle Weight Rating	4900/2223
RGAWR Rear Gross Axle Weight Rating	6200/2812
Maximum trailer towing	3000/1361

**NOTE: See owner's manual supplement for loading information**

1. Cargo and load capacity limited by weight and distribution.

3. Gross Vehicle Weight Rating (GVWR). When properly equipped, includes vehicle, passengers, cargo and equipment.

4. Base curb weight in operational status with 100% fuel, fluids and standard base equipment (excludes optional content)

5. These maximum payload ratings are intended for comparison purposes only. Before you buy a vehicle or use it to haul people or cargo, carefully review the vehicle loading section of the Owner's Manual and check the carrying capacity of your specific vehicle on the label on the inside of the driver's door jamb.

### ENGINE

Type	Vortec V8
Displacement: liters/cu. in.	6.0L/366
Horsepower/rpm	360 @ 5400
Torque lb.-ft./rpm	380 @ 4200
Induction system	Normally Aspirated
Compression ratio	9.7:1
Exhaust	Single
Minimum recommended fuel octane	87
Fuel capacity, approximate, gallon (liters)	39/148

### TRANSMISSION

Automatic	6-speed
-----------	---------

### TRANSFER CASE

Active electronic autotrac	2-speed
----------------------------	---------

### AXLE

Ratio	4.10
-------	------

### BRAKES

ABS, 4Wheel antilock with Duralife rotors	Disc/Disc
Brake apply system	Hydro boost
Front-swept area (sq. in./sq. cm)	277.72/1791.7
Rear-swept area (sq. in./sq. cm)	282.03/1819.57
Total front and rear swept area (sq. in./sq. cm)	559.75/3611.3
Front rotor diameter (in./mm)	13.98/355
Rear rotor diameter (in./mm)	14.17/360
Front rotor thickness (in./mm)	1.57/40
Rear rotor thickness (in./mm)	1.34/34

### TIRES

Type	6-ply, All Terrain Blackwall
Size (includes full size spare tire)	LT265/70R17E

### WHEELS

Type (steel spare wheel)	Aluminum
Size	17" X 8"

### CHASSIS

Frame	Full perimeter steel
Front suspension	50mm Mono-tube shock absorbers 42mm stabilizer bar
Rear suspension	51mm twin-tube shock absorbers Leaf springs with solid axle
Steering	Hydraulic assist
Steering type	Recirculating ball

### BATTERIES

	PRIMARY	AUXILIARY
Type	Maintenance free	Maintenance free
BCI group size	LN3	LN3
Volts	12	12
Amp hour rating	70	70
Cold cranking-amps @ 0°F (-18°C)	730	730

### ALTERNATOR

Amps	77°F (25°C)	220
------	-------------	-----

# WIRING

## SUBURBAN 1FL AND 3500HD - WIRING PROVISIONS

The vehicle has standard and may have optional wiring provisions for connecting 12 volt battery power to customer installed equipment.

### STANDARD FOR 1FL AND 3500HD

The standard upfitter provisions are terminated in the Instrument panel Electrical Center (ICEM) connector X7. The ICEM is located in the lower instrument panel to the left of the brake pedal assembly. The following circuits are terminated in ICEM connector X7.

**Terminal 8** - Battery power, hot in ignition RUN/ACCESSORY

**Terminal 11** - Battery power, hot in ignition RUN CRANK

**Terminals 7 and 17** - Primary battery power. Maximum load for each circuit must not exceed 15 amps.

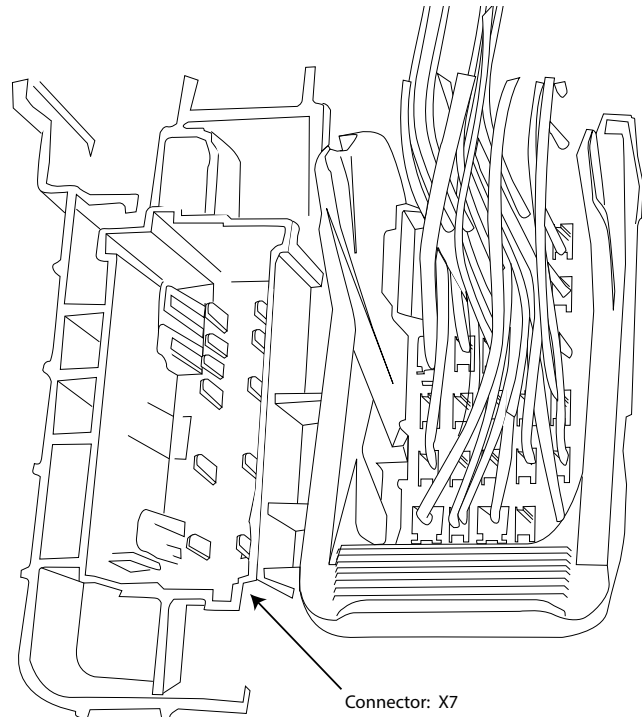
**Terminal 10** - Ground

**Terminal 19** - Vehicle Speed Signal (VSS) provides 4000 pulses per mile

The vehicle Electronic Brake Control Module (EBCM) VSS output circuitry does not include a logic pull-up resistance. If a pull-up resistance is not part of the customer equipment VSS input connection circuitry, a 5000 ohm resistor can be connected between the vehicle VSS circuit wire and vehicle battery power.

### STANDARD FOR 3500HD, AVAILABLE FOR 1FL

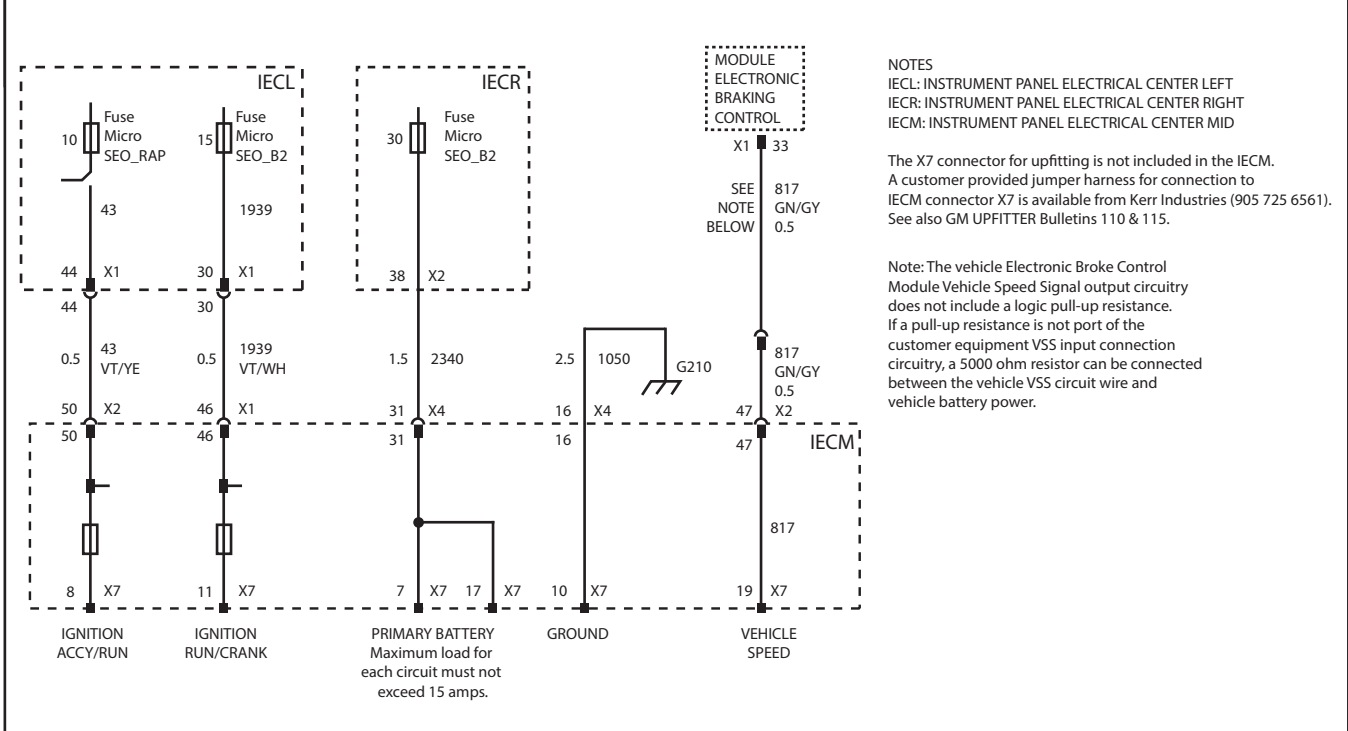
A 12 volt auxiliary battery when installed is located at the left front of the engine compartment. Customer connection to the auxiliary battery must be made at the fuse assembly located on the battery positive post. Connection to the circuits located in ICEM X7 must be made by a customer-provided jumper harness consisting of a connector and appropriately sized wires. The mating connector for ICEM cavity X7 is GM service part 19328970 (OEM 19324036). Refer to the wiring diagrams in this Specification for more information and to GM Upfitter Bulletin 115. A complete harness for connection to ICEM X7 is available from the GM police vehicle Second Stage Manufacturer, Kerr Industries (905 725 6561).





# WIRING

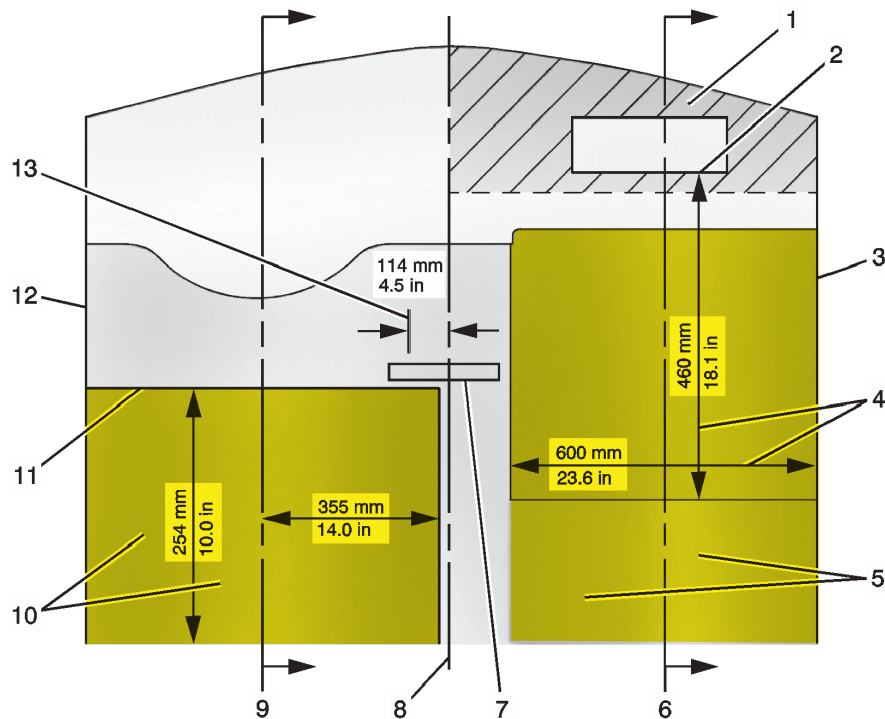
## 2018 SUBURBAN 1FL AND 3500HD WIRING PROVISIONS IGNITION POWER AND SIGNAL CIRCUITS



**NOTE: Wiring diagrams for these options are shown in the Police Package owner's manual supplement (shipped in glove box).**

# AIRBAGS

## TOP VIEW OF INSTRUMENT PANEL AND APPROXIMATE DEPLOYMENT AREA OF THE AIRBAG ZONE

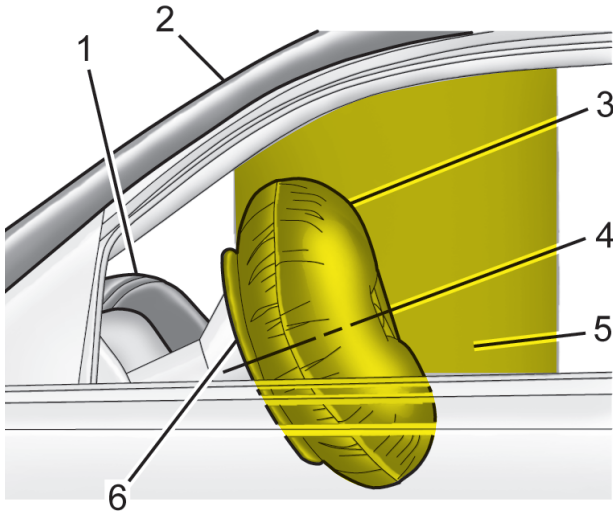


1. Passenger Side Instrument Panel Top Surface Zone
2. Passenger Frontal Airbag Module Trim Panel - Rear Edge
3. Passenger Side Door
4. Approximate Dimensions of Inflated Airbag
5. Passenger Frontal Airbag Deployment Zone
6. Passenger Centerline
7. Inside Rearview Mirror
8. Vehicle Centerline
9. Driver Centerline
10. Driver Frontal Airbag Deployment Zone
11. Front of Steering Wheel
12. Driver Side Door
13. Shift Selector Arc

Airbag inflation can cause severe injury or death to anyone too close to the bag when it deploys. Be sure every occupant is properly restrained.

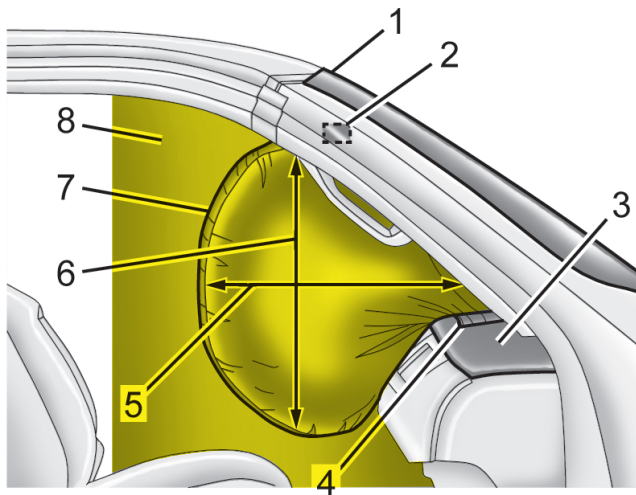
# AIRBAGS

## SIDE VIEW OF DRIVER FRONTAL AIRBAG DEPLOYMENT ZONE



1. Top of Instrument Panel
2. Top Edge of Windshield
3. Inflated Airbag - Steering Wheel
4. Centerline of Steering Column at Mid-Tilt
5. Driver Frontal Airbag Deployment Zone
6. Front of Steering Wheel

## SIDE VIEW OF PASSENGER FRONTAL AIRBAG DEPLOYMENT ZONE



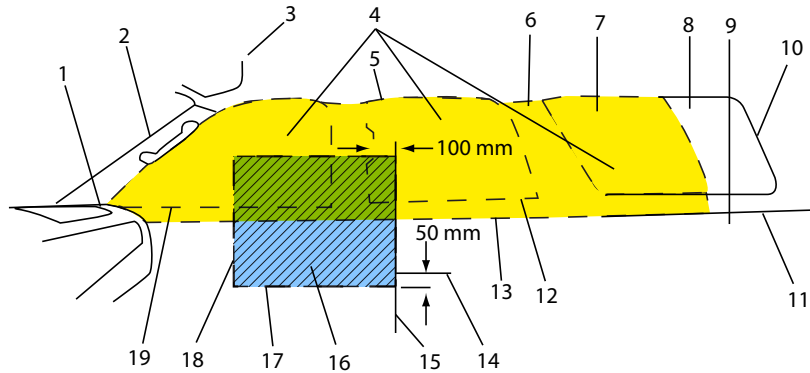
1. Top Edge of Windshield
2. Inside Rearview Mirror
3. Instrument Panel Top Surface Zone
4. Passenger Frontal Airbag Module Trim Panel - Rear Edge
5. Inflated Airbag - Horizontal Dimension, approximately 18.1 in (460 mm)
6. Inflated Airbag - Vertical Dimension (from Top of Occupant's Lap to Headliner)
7. Inflated Airbag - Instrument Panel
8. Passenger Frontal Airbag Deployment Zone

Airbag inflation can cause severe injury or death to anyone too close to the bag when it deploys. Be sure every occupant is properly restrained.



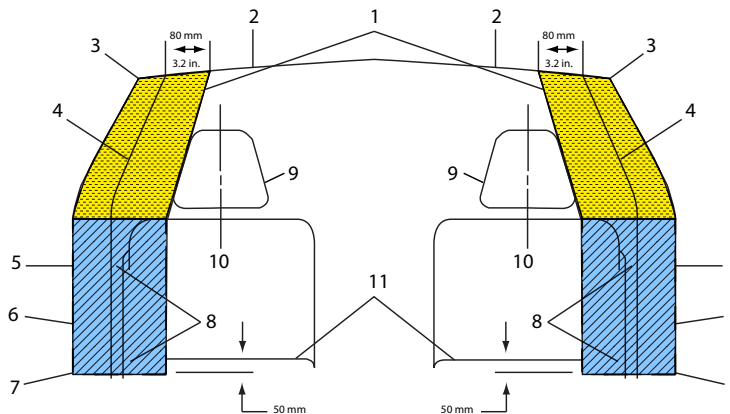
# AIRBAGS

## ROOF-RAIL AND SEAT-MOUNTED SIDE IMPACT AIRBAG DEPLOYMENT ZONES - PASSENGER SIDE SHOWN, DRIVER SIDE SIMILAR



- |   |  |
|---|--|
| <ol style="list-style-type: none"> <li>1. Front of Deployment Zone at Bottom of Windshield Pillar Trim</li> <li>2. A-Pillar Trim with Grab Handle (Passenger Side)</li> <li>3. Sun Visor</li> <li>4. Deployment Zone - Seat Rows 1 and 2 and Cargo Area</li> <li>5. Top of Deployment Zone - Along Roof-rail at Edge of Headliner</li> <li>6. C-Pillar Upper Trim</li> <li>7. Rear Quarter Window</li> <li>8. D-Pillar Upper Trim</li> <li>9. Rear of Cargo Area Zone at Back Corner of Headliner</li> <li>10. Rear of Vehicle at liftgate Opening</li> <li>11. Bottom of Cargo Area Zone at Rear Side Trim Cupholders</li> <li>12. Top Edge of Rear Door Trim</li> </ol> | <ol style="list-style-type: none"> <li>13. Bottom of Deployment Zone at Top of Side Door Armrests</li> <li>14. Top Surface of Front Seat Cushion (with Seal Fully lowered)</li> <li>15. Seat-Mounted Side Impact Airbag Deployment Zone 3.9 in (100 mm) to Rearward of Back Edge of B-Pillar Trim Grab Handle)</li> <li>16. Front Seat Deployment Zone (With Seat Fully Lowered)</li> <li>17. Bottom of Seat-Mounted Side Impact Airbag Zone 2.0 in (50 mm) Below Top of Seat Cushion with Seat Fully lowered)</li> <li>18. Rear of Front Door Trim Armrest Handle</li> <li>19. Top Edge of Front Door Trim</li> </ol> |
|---|--|

## ROOF-RAIL AND SEAT-MOUNTED SIDE IMPACT AIRBAG DRIVER AND PASSENGER DEPLOYMENT ZONES - VIEW FROM REAR CARGO AREA

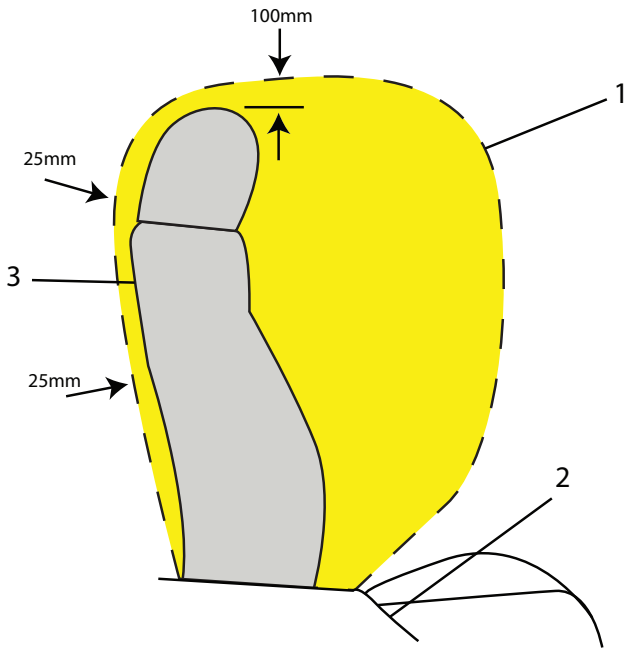


- |   |  |
|---|--|
| <ol style="list-style-type: none"> <li>1. Roof-rail Airbag Deployment Zone</li> <li>2. Underside of Headliner</li> <li>3. Edge of Headliner</li> <li>4. Inner Center and Rear Pillar Trim</li> <li>5. Inner Front and Rear Door</li> <li>6. Side Door Upper Armrests and Rear Quarter Trim Armrests</li> <li>7. Seat-Mounted Side Impact Airbag Deployment Zone 2.0 in (50 mm) Below Top Surface of Outboard Front Seat Cushion with Seat Fully Lowered.</li> </ol> | <ol style="list-style-type: none"> <li>8. Front Seatback Side Deployment Zone</li> <li>9. Front Seat Head Restraint</li> <li>10. Seat Centerline</li> <li>11. Top of Seat Cushion The driver and passenger seat-mounted side impact airbag deployment zones move up, down, fore, aft, as the seat is adjusted by the occupant. The deployment zones also move as the seatback is reclined and raised.</li> </ol> |
|---|--|

Airbag inflation can cause severe injury or death to anyone too close to the bag when it deploys. Be sure every occupant is properly restrained.

# AIRBAGS

OPTIONAL DRIVER SEATBACK FRONT CENTER AIRBAG (RPO AYQ AND D07) INCLUDED WITH A95 BUCKET SEATS - VIEW FROM PASSENGER SIDE

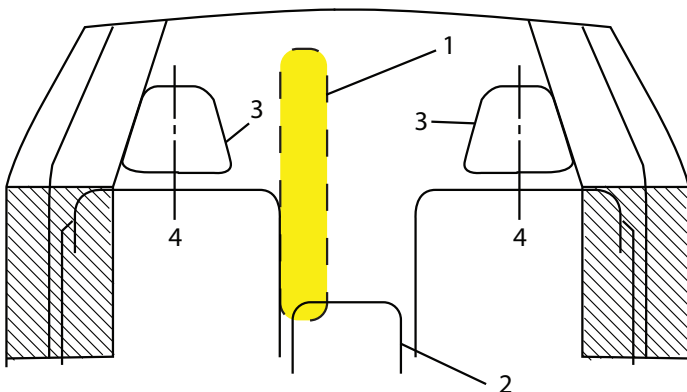


1. Driver Seatback Front Center Airbag
2. Front Center Console
3. Driver Seat and Head Restraint

The deployment zones for the driver seatback front center airbag and the driver and passenger seat-mounted side impact airbags move up, down, fore, and aft as the seat is adjusted by the occupant.

The driver seatback front center airbag (RPO AYQ) requires front bucket seats (RPO A95) and the front center console (RPO D07). Do not remove the front center console to install customer equipment or install customer equipment between the front bucket seats. The equipment may interfere with the deployment of the driver seatback front center airbag.

OPTIONAL DRIVER SEATBACK FRONT CENTER AIRBAG DEPLOYMENT ZONE (RPO AYQ AND D07) - VIEW FROM REAR CARGO AREA



1. Driver Seatback Front Center Airbag (RPO AYQ)
2. Front Center Console (RPO D07)
3. Front Seat Head Restraint
4. Seat Centerline

Airbag inflation can cause severe injury or death to anyone too close to the bag when it deploys. Be sure every occupant is properly restrained.

# AIRBAGS FAQ

## **Can specialty vehicle equipment (e.g. radar devices, video cameras, computers, meters, radio trees, shotguns, etc.) still be mounted in cars with passenger side airbags?**

Yes, but care must be taken to mount the equipment outside of the deployment zone. Airbags inflate with great force and will interact with any object in the deployment zone. Therefore, to reduce the risk of injury to vehicle occupants, GM recommends that the air deployment zone be kept free of any equipment. If a piece of equipment were to become dislodged it could strike an occupant in the vehicle and result in injury. The likelihood of an object becoming dislodged is influenced by many factors, including the proximity of the object to the inflatable restraint, the size and shape of the object and the means by which the object is secured to the vehicle. In addition to these factors, the trajectory and velocity of the dislodged object can be influenced by the type and severity of vehicle crash.

Objects that are in the deployment zone, but do not become dislodged by an inflating airbag can still affect the performance of the airbag. For example, such objects could tear the fabric or affect the shape of the airbag, thus reducing the ability of the bag to provide restraint.

## **Is it possible to shield equipment that is installed in the passenger side frontal airbag deployment zone in a manner that will allow full and safe airbag deployment?**

Due to the complexity of the influencing variables, GM is unable to evaluate the potential for shielding expected equipment configurations in all accident scenarios in order to assure that the airbag performance would be unaffected. While shielding may protect certain equipment from being damaged or dislodged, it may also negatively affect the inflation characteristics of the airbag. The airbag's shape, inflation angle, fold pattern, and inflation rate and pressure are developed to maximize the protection capability of the inflatable restraint system. Therefore, GM cannot recommend the placement of any equipment in the deployment zone, even if it is shielded to protect it from damage.

## **Front airbag systems and instrument panel mounted equipment.**

Passenger airbags in GM vehicles deploy in different ways depending upon the type of vehicle and the particular instrument panel design.

In some vehicles, the passenger airbag deploys through a discrete door located on the top surface of the instrument panel (top-mount airbag systems). In other vehicles, the passenger airbag deploys through a discrete door mounted on the vertical rearward surface of the instrument panel, above the glove box door (mid-mount airbag system). With these types of top mount and mid-mount passenger airbag systems, the top pad of the instrument panel remains in place during deployment.

Some GM passenger airbag systems deploy from beneath the instrument panel top pad. These are considered 3/4-mount airbag systems with a "deployable top pad." The entire instrument panel top pad is the "deployment door" from under which the inflation airbag emerges. When an airbag deployment is commanded, the forces from the inflating passenger airbag push up on the instrument panel top pad, releasing special fasteners across the rearward edge of the top pad. This allows the top pad to rotate upward so that the passenger airbag may emerge. The top pad rotates upward to open widest at the right hand side, and is usually forced upward into contact with the windshield on the right hand

side of the vehicle during a deployment.

Instrument panel top mounted special equipment, such as a radar antenna and control unit or video camera must be positioned to the left of the vehicle center line. This equipment must be mounted as low as possible and securely fastened to the top pad to avoid being dislodged in the event of a crash and possible airbag deployment. In the process of securely fastening special equipment to the top, DO NOT fasten down the top pad itself to any other vehicle component such as the cluster trim plate. As described above, the top pad rotates upward during a deployment. In order to enable the proper deployment of the passenger airbag, specialty equipment installation MUST NOT PREVENT the top pad from rotating upward during deployment. Location and attachment of special equipment should minimize added resistance or interference to upward rotation of the top pad during deployment.

On the right half of the top pad closest to the passenger airbag module, GM recommends that no equipment be mounted. When mounting equipment not on the driver side of the top pad, GM recommends that the total mass of the top pad mounted special equipment not exceed 8 pounds (3.6 Kilograms), since some top pads tend to rotate about the left end.

Fasteners used to secure special equipment to the instrument panel top pad, the windshield glass, or to the windshield upper frame (header), should be selected to ensure that these devices will remain attached during a vehicle crash and possible airbag deployment.

## **Side-Impact Airbags for crashes to the vehicle sides.**

The airbag system in your police vehicle includes roof rail mounted Head Curtain side airbags. The vehicle is also equipped with seat back mounted upper body airbags located on the outboard side of the driver and front passenger seat backs. Together the Head Curtain and seat-mounted side airbags are intended to protect the head and upper body in the event of a side crash. The Head Curtain and seat-mounted side airbags also may be commanded to deploy in the event that the vehicle sensing system detects an impending or underway rollover of the vehicle. Some vehicles may also be equipped with an optional airbag, mounted on the inboard side of the driver seat back.

## **Can Specialty Vehicle Security Barriers be mounted within the side airbag deployment zones?**

No. The Side airbags inflate extremely fast because of the nature of side crashes to the vehicle. Mounting a security barrier behind the front seats with the ends placed within the side airbag deployment zones will result in unintended interaction between the barrier and the inflated side airbags. To reduce the risk of injury to the vehicle occupants, GM recommends that the side airbag zones be kept free of any customer installed equipment.

## **Customer furnished equipment installed to the vehicle roof.**

The roof system may also include side airbag head curtain components. Inflation devices and cushion components may be mounted not on the vehicle roof side from the base of the windshield along the roof rail above the door openings to the base of the rear window pillar. Care must be taken to avoid damage to these components or interference with their operation when installing roof mounted equipment such as emergency lamps and communication antennas.

Always use safety belts and the correct restraint for your child's age and size, even with air bags. Even in vehicles equipped with the Passenger Sensing System, children are safer when properly secured in a rear seat in the appropriate infant, child or booster seat. Never place a rear-facing infant restraint in the front seat of any vehicle equipped with an active frontal air bag. See the Owner's Manual and the child safety seat instructions for more safety information.

# AIRBAGS FAQ

## **Can the installation of push bumpers on the front end of the vehicle affect the deployment of the airbag?**

General Motors is not aware of adverse effects during crash events from the many push bumpers that have been installed on GM police vehicles. Because there are many styles of push bumpers available with varying crash characteristics, installation of push bumpers may or may not effect deployment timing of the airbags. Push bumpers should be mounted to avoid modifying the vehicle structure and interfering with the front airbag sensors mounted on the upper radiator support cross member.

Two front impact sensors are installed in General Motors vehicles. Do not relocate or disconnect the front sensors. The location and orientation of the front sensors are critical for correct operation of the airbag system. Avoid mounting components on or near the sensors. Push bumper styles with vertical pushing members that are in foreaft alignment with the front airbag sensors are not recommended.

## **When should an airbag inflate?**

The driver's and right-front passenger's frontal airbags are designed to inflate in moderate to severe frontal or near-frontal crashes. But they are designed to inflate only if the impact speed is above the system's designed "threshold level."

In addition, your vehicle has "dual stage" frontal airbags which tailor the amount of restraint according to crash severity. For moderate frontal impacts, the airbags inflate at a level less than full deployment. For more severe frontal impacts, "dual stage" frontal airbags deploy at full levels.

If the front of your vehicle goes straight into a wall that doesn't move or deform, the threshold level of the reduced deployment is about 12 to 16mph (19 to 15 km/h), and the threshold level for a full deployment is about 18 to 24 mph (29 to 28.5 km/h). The threshold level can vary, however, with specific vehicle design, so that it can be somewhat above or below this range.

If your vehicle strikes something that will move or deform such as a parked car, the threshold level will be higher. The driver's and right-front passenger's frontal airbags are not designed to inflate in rollover, side impacts, or rear impacts, because inflation would not help the occupant.

Seat mounted side impact airbags are designed to inflate in moderate to severe side crashes. The side impact airbags will inflate if the crash severity is above the designed "threshold level." The threshold level can vary with specific vehicles design. The side impact airbags are not designed to inflate on frontal or near frontal impacts or rear impacts, because inflation would not help the occupant.

Roof rail mounted head-curtain airbags are designed to inflate in moderate to severe side crashes. In addition, certain vehicles have head-curtain airbags which are also designed to inflate in situations where an impending rollover condition is identified by the vehicle's rollover sensing system and/or frontal or near-frontal impacts if the crash severity is above the designed "threshold level." Safety belt pretensioners at the driver and front passenger seat positions are designed to deploy in frontal, near-frontal, side, and rear crashes that exceed the "threshold level" of crash severity to help reduce slack in the safety belt. Safety belt pretensioners will also deploy in impending rollover situations.

## **How long will the airbag remain inflated?**

It takes approximately 1/20th of a second to fully inflate the frontal airbags. This is faster than the blink of an eye. The airbags begin to deflate immediately, helping to stop the occupants more gradually. Unlike frontal airbags, head curtain side airbags can remain inflated for more than 5 seconds before they start to deflate.

## **I've heard that a deployed airbag produces what appears to be smoke, is the airbag hot?**

After the bag has deployed in a crash, the airbag itself will not be hot to touch. Some components within the airbag module will be hot for a short time. A small amount of smoke coming from a deployed airbag module is normal and should not be cause for concern. Also, when the nitrogen gas is vented out of the airbag, small particles from inside the bag are also vented into passenger compartment. These airborne particles look like smoke and some particles are deposited as residue on and around the airbag.

I've heard that the dusts that are released into the passenger compartment from the airbag are harmful, is this true?

For most people, the only effect the dusts will produce is some irritation of the throat and eyes, and that is only if the occupant remains in the vehicle for many minutes after the airbag deployment with no ventilation and windows closed. However, some people with asthma may develop an asthmatic attack from inhaling the dusts. If this happens, they should first treat themselves the same way their doctor has advised them to treat any other asthma attack, and then immediately seek medical treatment.

## **Can the airbag system be re-used?**

No. The airbags are designed to inflate only once. After inflation, some new parts will be required. These will include the airbag module and possibly other parts. (A competent service technician with access to the vehicle's service manual and the required tools should replace the required components after a deployment crash.)

## **If my vehicle has airbags, why should I have to wear my safety belt?**

Yes, safety belts are the primary safety restraint in the vehicle. Airbags are in many vehicles today and will be in most of them in the future. But they are supplemental systems only; so they work with safety belts, not instead of them. Every airbag system ever offered for sale has required the use of safety belts. Even if you're in a vehicle that has airbags, you still have to buckle up to get the most protection. That's true not only in frontal collisions but especially in side and other collisions.



# ELECTRONIC STABILITY CONTROL SYSTEMS (STABILITRAK)

**StabiliTrak systems help drivers maintain control of their vehicles, especially during emergency lane changes or avoidance maneuvers. StabiliTrak uses various sensors, such as steering wheel angle, wheel speed, yaw velocity, etc., to detect any difference between the path requested by the steering wheel position and vehicle's actual path. When appropriate, the system selectively controls brakes, engine power, and even suspension settings to enhance control of the vehicle's direction and help keep it on course.**

**Independent studies conducted by the National Highway Traffic Safety Administration, the Insurance Institute for Highway Safety, and others have found StabiliTrak to be highly reactive in reducing vehicle crashes. General Motors offers StabiliTrak systems on many of its passenger car and light truck models.**

*See your owner's manual for additional information about the operation of StabiliTrak.*

## **Q. How do I use StabiliTrak?**

### **A. StabiliTrak operates independently of the driver.**

You should continue to drive your StabiliTrak equipped vehicle with caution and care. GM's StabiliTrak system, StabiliTrak is designed to be as seamless as possible in operation, and part of the overall vehicle response to make a good vehicle better

## **Q. How does StabiliTrak work?**

**A. StabiliTrak has the ability to apply control forces to the vehicle independent of the driver.** StabiliTrak uses sensors to continuously compare the path indicated by the steering wheel position to the vehicle's actual path. If a discrepancy is detected, StabiliTrak selectively controls vehicle brakes and engine torque to create a yaw moment that helps restore the vehicle's actual path to the path indicated by the steering wheel position. StabiliTrak has the ability to help correct both understeer (where the vehicle is not turning as much as the steering wheel position indicates) and oversteer (where the vehicle is turning more than the steering wheel position indicates).

## **Q. Will a tire change affect StabiliTrak?**

**A. Use of tires other than original equipment may affect StabiliTrak performance.** StabiliTrak is designed to make the best use of available traction. The performance characteristics of the original equipment tires are part of the overall system effectiveness. When you replace tires check the recommendations in your owner's manual. On GM vehicles, the original equipment tires have a "TPC" (Tire Performance Criteria) code on the sidewall. Replacing the tires with the same "TPC" code will help assure proper StabiliTrak performance.

# DRIVER OPERATED TRACTION CONTROL BUTTON

**An advanced computer controlled stability enhancement system assists the driver with directional control of the vehicle in difficult driving conditions. Each time the vehicle is started, the StabiliTrak system is fully on. StabiliTrak can be controlled by a Traction Control Button. The condition system is displayed by a StabiliTrak indicator light and Driver Information**

Center (DIC) Message. Push once to disable Traction Control. Push and hold to disable both Traction Control and StabiliTrak. In this condition, StabiliTrak will automatically turn ON when the vehicle speed exceeds 35 mph (56km/hr) while the Traction Control remains OFF. Push again to enable Traction Control and StabiliTrak.

# MAINTENANCE / WARRANTY

## MAINTENANCE

Two maintenance visits within 2 years/24,000 miles (whichever comes first) includes:

- ACDelco dexos1®Oil and ACDelco Oil Filter Change (excludes Bolt EV)
- 4-wheel Tire Rotation
- 27-Point Vehicle Inspection (MPVI)

Maintenance visits must occur within two years or 24,000 miles of vehicle delivery, whichever comes first. All 2017 Corvette models are eligible for three service visits under the Chevrolet Complete Care program. Does not include air filters. See participating dealer for other restrictions and complete details.

All vehicles require periodic maintenance. Maintenance services, such as those detailed in the Owner's Manual are the owner's expense. Vehicle lubrication, cleaning, or polishing are not covered. Failure of or damage to components requiring replacement or repair due to vehicle use, wear, exposure, or lack of maintenance is not covered.

Items such as audio system cleaning, brake pads/linings, clutch linings, coolants and fluids, filters, keyless entry (or other remote transmitter/receiver batteries),<sup>†</sup> limited slip rear axle service, tire rotation, wheel alignment/balance,<sup>†</sup> wiper inserts are covered up to the first maintenance inspection period outlined in the Owner's Manual. Any replacement at the time of, or beyond the maintenance inspection period is considered maintenance, and is not covered as part of the New Vehicle Limited Warranty. The New Vehicle Limited Warranty only covered components when replacement or repair of these components is the result of a defect in material or workmanship.

## BUMPER TO BUMPER WARRANTY (including tires)

Coverage is for the first 3 years or 36,000 miles, whichever comes first.

This warranty gives you specific legal rights and you may also have other rights which vary from state to state. GM does not authorize any person to create for it any other obligation or liability in connection with these vehicles. Any implied warranty of merchantability or fitness for a particular purpose applicable to this vehicle is limited in duration to the duration of this written warranty. Performance of repairs and needed adjustments is the exclusive remedy under this written warranty or any implied warranty. GM shall not be liable for incidental or consequential damages, such as, but not limited to, lost wages or vehicle rental expenses, resulting from breach of this written warranty or any implied warranty.

## ENGINE

Coverage includes all internally lubricated parts, engine oil cooling hoses, and lines. Also included are all actuators and electrical components internal to the engine (e.g., Active Fuel Management valve, lifter and oil manifold) cylinder head, block, timing gears, timing chain, timing cover, oil pump/oil pump housing, OHC carriers, valve covers, oil pan, seals, gaskets, manifolds, flywheel, water pump, harmonic balancer, engine mount, turbocharger, and supercharger. Timing belts are covered until the first scheduled maintenance interval. Exclusions: Excluded from the powertrain coverage are sensors, wiring, connectors, engine radiator, coolant hoses, coolant, and heater core. Coverage on the engine cooling system begins at the inlet to the water pump and ends with the thermostat housing and/or outlet that attaches to the return hose. Also excluded is the starter motor, entire pressurized fuel system (in-tank fuel pump, pressure lines, fuel rail(s), regulator, injectors, and return line), as well as the Engine/ Powertrain Control Module and/or module programming.

## DIESEL ENGINE COMPONENTS

Cylinder block and heads and all internal parts, intake and exhaust manifolds, timing gears, timing gear chain or belt and cover, flywheel, harmonic balancer, valve covers, oil pan, oil pump, water pump, fuel pump, engine mounts, seals, and gaskets. Parts of the Emissions Reduction System such as the emissions reduction fluid tank, injectors, sensors including NOx and exhaust, and the Exhaust Particulate Filter. Glow Plug Control System: Control/glow plug assembly, glow plugs, cold advance relay, and engine control module. The fuel injection control module, integral oil cooler, transmission adapter plate, common fuel rails, fuel filter assembly, fuel temperature sensor, and function block.

# MAINTENANCE / WARRANTY

## **POWERTRAIN LIMITED WARRANTY**

Coverage is for the first 5 years or 60,000 miles, whichever comes first.

Certain commercial fleet and/or government fleet vehicles purchased under a qualifying fleet account number are covered for 5 years or 100,000 miles, whichever comes first. A Qualified Fleet User is defined as a company that has purchased and registered or leased five (5) or more new cars/or trucks solely for use in its operation during the current or preceding calendar year, model year, preceding twelve (12) month period, or that owns or leases fifteen (15) or more cars and trucks. Excludes rental customers. See dealer for details.

Diesel Engine/Components: Cylinder block and heads and all internal parts, intake and exhaust manifolds, timing gears, timing gear chain or belt and cover, flywheel, harmonic balancer, valve covers, oil pan, oil pump, water pump, fuel pump, engine mounts, seals, and gaskets. Parts of the Emissions Reduction System such as the emissions reduction fluid tank, injectors, sensors including NOx and exhaust, and the Exhaust Particulate Filter. Glow Plug Control System: Control/glow plug assembly, glow plugs, cold advance relay, and engine control module. The fuel injection control module, integral oil cooler, transmission adapter plate, common fuel rails, fuel filter assembly, fuel temperature sensor, and function block.

Refer to the Limited Warranty and Owner Assistance Information or a Chevrolet dealership for additional details.

## **TRANSMISSION AND TRANSAXLE**

Coverage includes all internally lubricated parts, case, torque converter, mounts, seals and gaskets, as well as any electrical components internal to the transmission/transaxle. Also covered are any actuators directly connected to the transmission (slave cylinder, etc.). Exclusions: Exclusions from the powertrain coverage include cooling lines, hoses, radiator, sensors, wiring, and electrical connectors. Also excluded are the clutch and pressure plate, as well as any Transmission Control Module and/or module programming.

## **TRANSFER CASE**

Coverage includes all internally lubricated parts, case, mounts, seals and gaskets, as well as any electrical components internal to the transfer case. Also covered are any actuators directly connected to the transfer case, as well as the encoder motor. Exclusions: Excluded from the powertrain coverage are transfer case cooling lines, hoses, radiator, sensors, wiring, and electrical connectors, as well as the transfer case control module and/or module programming.

## **DRIVE SYSTEMS**

Coverage includes all internally lubricated parts, final drive housings, axle shafts and bearings, constant velocity joints, propeller shafts and universal joints. All mounts, supports, seals, and gaskets, as well as any electrical components internal to the drive axle. Also covered are any actuators directly connected to the drive axle (e.g., front differential actuator). Exclusions: Excluded from the powertrain coverage are all wheel bearings, drive wheel front and rear hub bearings, locking hubs, drive system cooling, lines, hoses, radiator, sensors, wiring, and electrical connectors related to drive systems, as well as any drive system control module and/or module programming.

## **SHEET METAL**

All body and sheet metal components are warranted against corrosion for 3 years or 36,000 miles, whichever comes first. Plus you're protected even further from rust-through corrosion for a minimum of 6 years/100,000 miles (whichever comes first). Application of additional rust-inhibiting materials is not required under the corrosion coverage and none is recommended. See your GM dealer for terms of this limited warranty.

## **EMISSION CONTROL SYSTEM**

For light duty trucks, see "How to Determine the Applicable Emissions Control Systems Warranty" under Emission Control System Warranty on pg. 21 for more information. Defects and performance for car and light-duty truck emission control systems are covered for the first 2 years or 24,000 miles, whichever comes first. From the first 2 years or 24,000 miles to 3 years or 36,000 miles defects in material or workmanship continue to be covered under the New Vehicle Limited Bumper-to-Bumper Warranty coverage. Specified major components are covered for the first 8 years or 80,000 miles, whichever comes first. Defects and performance for heavy duty truck emission control systems including those found in 6.6L Duramax® Diesel Engines are covered for the first 5 years or 50,000 miles, whichever comes first.

California: Defects and performance for cars and trucks with light duty or medium duty emission control systems are covered for the first 3 years or 50,000 miles, whichever comes first. Specified components for cars or light duty trucks equipped with light duty or medium duty truck emission control systems are covered for the first 7 years or 70,000 miles, whichever comes first. See "California Emission Control System Warranty" on pg. 21 of your Chevrolet Limited Warranty and Owner Assistance Information booklet.

# MAINTENANCE / WARRANTY

## **TIRES**

The tires supplied with your vehicle are covered by General Motors against defects in material or workmanship under the Bumper-to-Bumper Limited Warranty coverage. Wear-out is not considered a defect, and it may occur before the vehicle warranty expires. In this case, the owner is responsible for purchasing replacement tires, or seeking coverage solely from the tire manufacturer. For vehicles within the Bumper-to-Bumper Limited Warranty coverage, defective tires will be replaced on a prorated adjustment basis according to the mileage-based schedule in your Warranty and Owner Assistance Information booklet. After your New-Vehicle Limited Warranty expires, you may still have prorated warranty coverage on your original equipment tires by the tire manufacturer.

## **ACCESSORY COVERAGE**

Most GM parts and accessories sold and permanently installed on a GM vehicle by a GM Dealer or GM approved Accessory Distributor/Installer (ADI) prior to delivery will be covered under the applicable portion (Bumper-to-Bumper, Powertrain, etc.) of the New Vehicle Limited Warranty. In the event GM accessories are installed after vehicle delivery, or are replaced under the New Vehicle Limited Warranty, they will be covered, parts and labor, for the balance of the applicable portion of the New Vehicle Limited Warranty, but in no event less than 12 months/unlimited miles. GM Accessories sold over the counter, or those not requiring installation, will continue to receive the standard GM Dealer Parts Warranty of 12 months from the date of purchase, parts only. GM Licensed and Integrated Business Partner (IBP) Accessories are covered under the accessory-specific manufacturer's warranty and are not warranted by GM or its dealers.

## **TOWING**

Towing is covered to the nearest Chevrolet dealer if your vehicle cannot be driven because of a warranted defect.

## **COURTESY TRANSPORTATION PROGRAM**

Offers response, security and convenience of the 24-Hour Roadside Assistance Program. Roadside Assistance is provided with all purchased or leased GM vehicles that are within the Powertrain Limited Warranty.

- Emergency Towing (from a public road or highway to nearest Chevrolet dealer)
- Lockout Service (keys locked inside vehicle)
- Flat Tire Changes (service to change a flat tire with the spare tire (if equipped))
- Fuel Delivery (enough fuel for vehicle to get to the nearest service station)
- Jump-Starts (service to jumpstart a dead battery) During the 8 year or 100,000 miles
- Electric Propulsion warranty period, towing is covered to the nearest Chevrolet servicing dealer if your vehicle cannot be driven because of a warranted Electric Propulsion specific defect. Refer to your Owner's Manual for details, including reservation of rights, or consult your dealer/retailer. --For specific terms and conditions, please contact your Chevrolet Roadside Assistance Program advisor at 1-800-243-8872.

## **WHAT IS NOT COVERED**

Tire and Wheel Damage or Wear Normal tire wear and tear or wear-out is not covered. Tire wear is influenced by many variables such as road conditions, driving styles, vehicle weight, and tire construction. Uniform tire wear is a normal condition, and it not considered a defect. Road hazard damage such as punctures, cuts, snags, and breaks resulting from pothole impact, curb impact, or from other objects is not covered. Tire wear due to misalignment beyond the warranty period is not covered. Also, damage from improper mounting or dismounting, misuse, negligence, alteration, improper repair, accident, collision, fire, vandalism, or misapplication is not covered. Damage to sidewalls caused by automatic car washes or cleaning agents is not covered.

Damage Due to Bedliners Owners of trucks with a bedliner, whether after-market or factory installed, should expect that with normal operation the bedliner will move. This movement may cause finish damage. Therefore, any damage caused by the bedliner is not covered under the terms of the New Vehicle Limited Warranty. The factory spray in bedliner (RPO CGN) is not covered for a loss of shine and luster or fading. Refer to the Owner's Manual for more information on spray in bedliner maintenance.

Damage Due to Accident, Misuse, or Alteration. The New Vehicle Limited Warranty does not cover damage caused as a result of the following: Collision, fire, theft, freezing, vandalism, riot, explosion, or objects striking the vehicle.

Misuse of the vehicle such as driving over curbs, overloading, racing, or other competition. Proper Vehicle use is discussed in the Owner's Manual. Alteration, modification, or tampering to the vehicle, including, but not limited to the body, chassis, powertrain, driveline, software, or other components after final assembly by GM. Coverages do not apply if the odometer has been disconnected, its reading has been altered, or mileage cannot be determined. Installation of non-GM (General Motors) parts. Water or fluid contamination.



# MAINTENANCE / WARRANTY

Damage resulting from hail, floods, windstorms, lightning, and other environmental conditions. Alteration of glass parts by application of tinting films.

Damage caused by failure to follow the recommended maintenance schedule intervals and/or failure to use or maintain proper fluids, or maintain fluids between recommended maintenance intervals, fuel, lubricants, or refrigerants recommended in the Owner's Manual is not covered.

Damage Due to Impact, Use, or the Environment Windshield or glass cracks, chips, or scratches due to impact are not covered, Windshield cracks will be covered for the first 12 months, regardless of mileage if caused by defects in material or workmanship. Lights, lenses, mirrors, paint, grille, moldings, and trim are not covered for cracks, chips, scratches, dents, dings, and punctures or tears as a result of impact with others objects or road hazards. In addition, cracks, chips, scratches, or other damage to the face of a radio or instrument cluster from impact or foreign objects are not covered.

#### Damage Due to Contaminated, Improper, or Poor Quality Fuel

Poor fuel quality or incorrect fuel may cause drivability problems, such as hesitation, lack of power, stalling, or failure to start. They may also degrade functionality of critical exhaust emissions components such as spark plugs, oxygen sensors, and the catalytic converter. Damage from poor fuel quality, water contamination, or if the vehicle requires premium fuel, operating the vehicle on gasoline with a Pump Octane less than 91 (R+M)/2, may not be covered. Prohibited fuels are: Gasolines containing any methanol, MMT, an organometallic octane enhancing additive, and/or fuels containing more than 15% ethanol in non-Flex Fuel Vehicles (FFV). Please refer to your Owner's Manual under "Fuel," for additional recommendations, including the use of TOP TIER Detergent Gasoline. Additional information can also be found at <http://www.toptiergas.com>

#### Third Party Externally Connected Electrical Products

This warranty does not apply to hardware or software of a third party device that is connected to the vehicle or its components, even if integrated or delivered with the vehicle. GM is not responsible for the quality or accuracy of any information, or service accessed through or from any third party device or platform. Software distributed by GM inside or outside the vehicle (including, but not limited to system software or applications) is not covered by this Warranty. GM does not warrant that connections to, from or through the vehicle will be uninterrupted or error-free. Also, the user should back-up their data and user information frequently. GM is not responsible for any loss or damage to data or information made available in connection with the use of the vehicle.

In addition, this Warranty does not apply to:

- consumable parts that are designed to diminish over time, unless failure has occurred due to a defect in materials or workmanship;
- damage caused by a third party device or service (including upgrades and expansions), or (d) to obsolescence or lack of utility with future versions of external hardware or software, including, but not limited to mobile devices.

**ALTERATIONS AND WARRANTIES:** The Chevrolet New Vehicle Limited Warranty does not cover any damage or failure resulting from modifications, installations, or alterations to the original equipment as manufactured or assembled by General Motors. The special body company, assembler, equipment installer or upfitter is solely responsible for warranties on the body or equipment and any alterations (or any effect of the alterations) to any of the parts, components, systems or assemblies installed by GM. General Motors is not responsible for the safety or quality of design features, materials or workmanship of any alterations by such suppliers.

**IMPORTANT:** This warranty is void on vehicles currently or previously titled as salvage scrapped, junked, or otherwise considered a total loss. Damage or Corrosion Due to Environment, Chemical Treatments, or Aftermarket Products

Damage Caused by airborne fallout, rail dust, salt from sea air, salt or other materials used to control road conditions, chemicals, tree sap, stones, hail, earthquake, water or flood, windstorm, lightning, the application of chemicals or sealants subsequent to manufacture, etc., is not covered. See "Chemical Paint Spotting" under Things to Know About the New Vehicle Limited Warranty on pg. 16. Damage Due to Insufficient or Improper Maintenance.



GM reserves the right to make changes at any time, without notice, in prices, colors, materials, equipment, specifications, models, and availability. Specifications, dimensions, measurements, ratings, and other numbers in this catalog and other printed materials provided at the dealership or affixed to vehicles are approximates based upon design and engineering drawings and prototypes and laboratory tests. Your vehicle may differ due to variations in manufacture and equipment. Since some information may have been updated since the time of printing, please check with your GM dealer for complete details. Some of the equipment shown or described throughout this publication may be available at extra cost, and/or is supplied by an independent supplier.

Copyright 2018 General Motors. All rights reserved. All text, images, graphics, and other materials in this publication are subject to the copyright and other intellectual property rights of General Motors. These materials may not be reproduced, distributed, or modified without the express written permission of General Motors. The marks appearing in this publication including, but not limited to: GM and the GM logo; Chevrolet and their respective logos, emblems, slogans, and vehicle model names and body designs; and other marks such as GM Fleet and Commercial are trademarks and/or service marks of General Motors, its subsidiaries, affiliates, or licensors.

For more detailed information, contact your District Sales Manager or see the online order guide at [gmfleet.com](http://gmfleet.com).



For more information, visit [gmfleet.com/police](https://gmfleet.com/police)

